
Electrically Small Antennas



Measurement Concepts

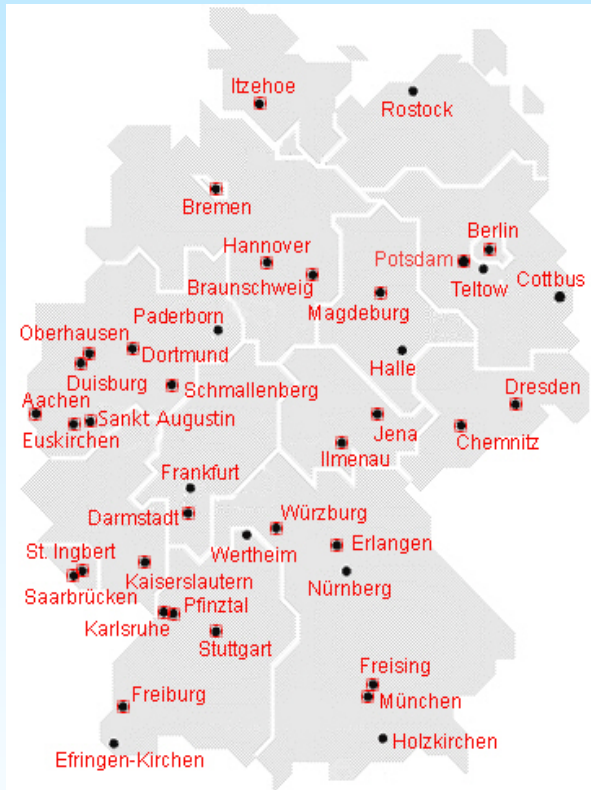
Dipl.-Ing. Rainer Wansch

<http://www.antennen.fraunhofer.de>
<mailto:rainer.wansch@iis.fraunhofer.de>

Introduction



Fraunhofer-Society in Germany



Leading Organisation doing applied research in Europe

56 Instituts on 40 locations

12 700 employees, 1.2 billion € turnaround

Combination of Institute Competencies in Technology Clusters and Alliances

- Microelectronics
- Information and Communication Technology
- Defense and Security Research
- Materials, Components; Production; Life Sciences; Surface Technology and Photonics



Fraunhofer-Institute for Integrated Circuits IIS

Founded: 1985

Locations: Erlangen, Fürth,
Nürnberg, Dresden

Employees: about 520

Turnaround: € 60 Mio.

Financing

> 80% Projects

< 20% basic founding

www.iis.fraunhofer.de



Seite 4



Overview

Parameters

- Pattern
- Polarisation
- Efficiency
- Matching
- Noise Parameters
- Sensitivity / Radiated Power (CTIA)

Methods

- Far-Field
- Near-Field
- Reverberation Chamber
- GTEM Cell
- Wheeler Cap



Some Definitions



Gain and Directivity

Directivity and Gain are angular dependent functions

Relation between gain and directivity gives the efficiency

By measuring the pattern of the antenna and peak gain of the antenna one can determine the efficiency

$$D(\theta, \varphi) = \frac{S(\theta, \varphi)}{\iint S(\theta, \varphi) \sin \theta d\theta d\varphi}$$

$$G(\theta, \varphi) = \eta \cdot D(\theta, \varphi)$$

$$G_{\max} = \eta \cdot D_{\max}$$



Radiation Regions

Reactive Near-Field

$$R = \frac{\lambda}{2\pi}$$

Radiating Near-Field (Fresnel Region)

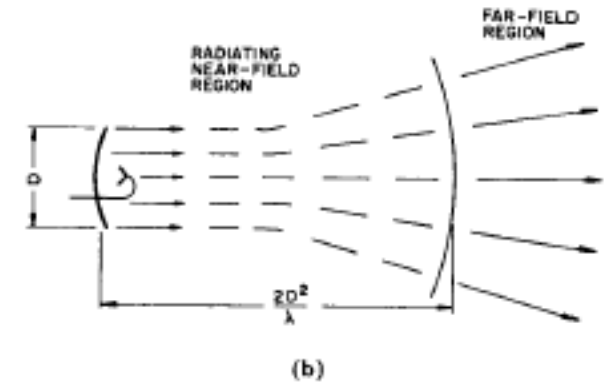
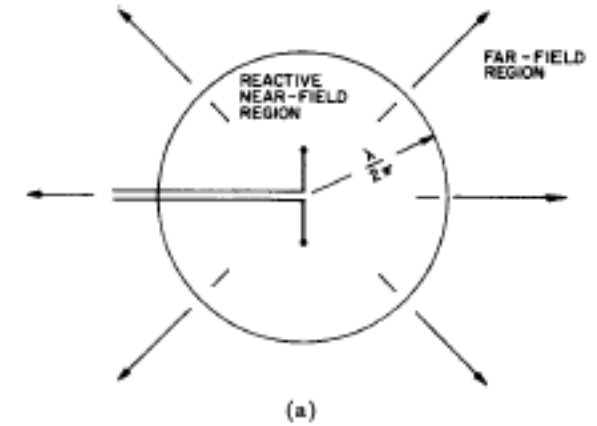
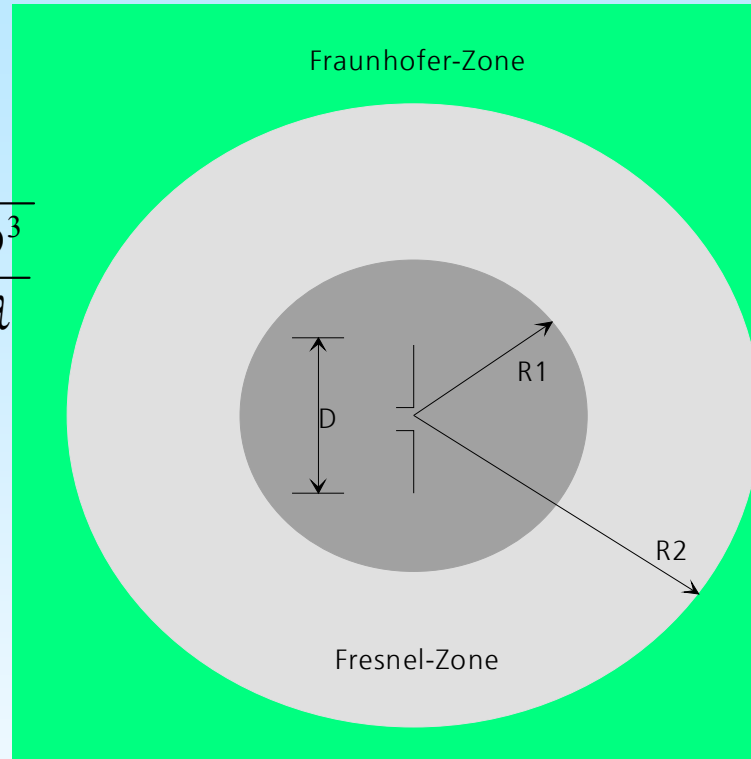
$$R_1 = 0.62 \sqrt{\frac{D^3}{\lambda}}$$

$$R_1 = \frac{\lambda}{2\pi}$$

Far-Field, Fraunhofer-Region

$$R_2 = \frac{2D^2}{\lambda}$$

Region of plane waves



How is the Far-Field Region for Antenna Measurements defined?

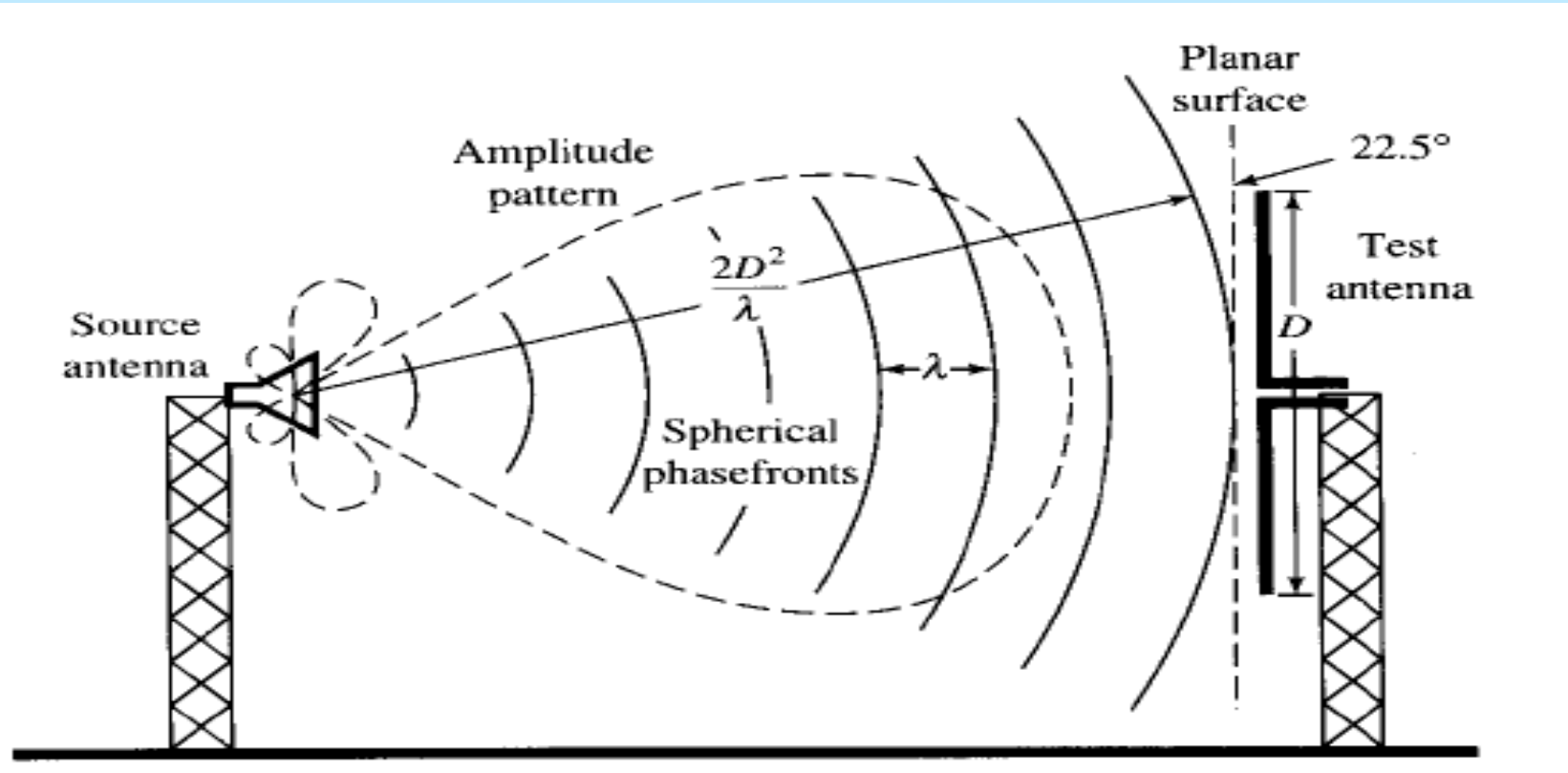
$$R_1 = R + \frac{1}{16} \lambda \quad (\Delta\varphi = 22,5^\circ)$$

$$R_1^2 = R^2 + \left(\frac{D}{2}\right)^2$$

$$\rightarrow R = \frac{2D^2}{\lambda}$$

AUT (Antenna under Test) has to be in Far-Field Region!

This distance is only defined by the AUT and not by the probe antenna!



Seite 9



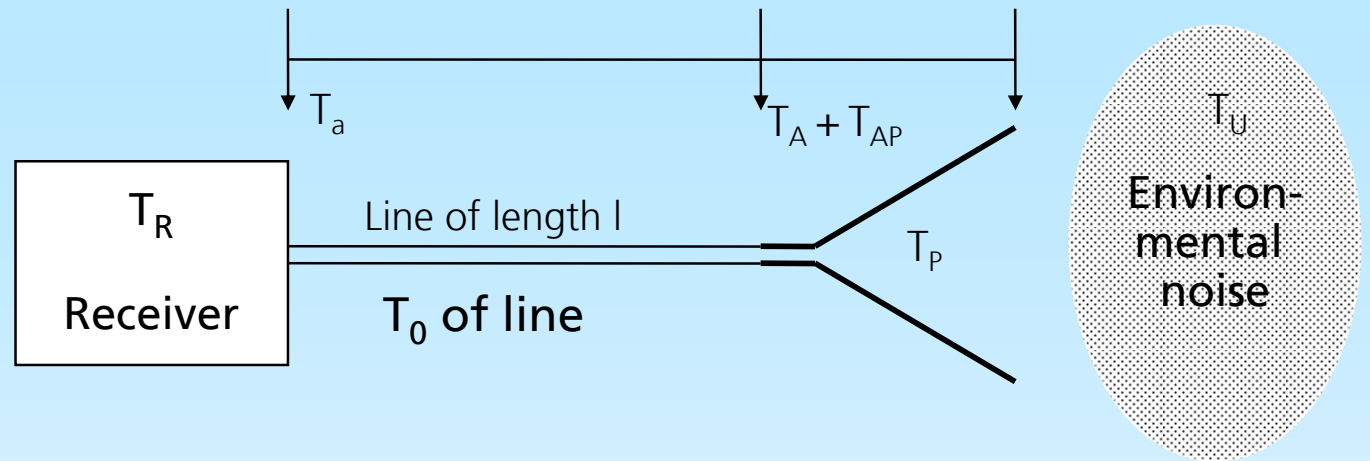
How is the Far-Field Region defined?

Let's assume an electrically small antenna being smaller than the halfwavelength dipole. This means, we are always in the far-field with respect to the measurement definition. So, near- and far-field approaches lead to the same results and no transformation would be necessary – except for a better angular resolution.

$$R_1 = R + \frac{1}{16} \lambda \quad (\Delta\varphi = 22,5^\circ) \quad D = \lambda/2$$
$$R_1^2 = R^2 + \left(\frac{D}{2}\right)^2$$
$$\rightarrow R = \frac{2D^2}{\lambda} \quad \rightarrow R = \frac{2D^2}{\lambda} = \frac{\lambda}{2}$$



Antenna Noise Temperature



Antenna noise temperature T_A :
Integration of environmental noise weighted with antenna gain

$$T_A = \frac{\int_0^{2\pi} \int_0^{\pi} T_U(\theta, \varphi) \cdot G(\theta, \varphi) \cdot \sin \theta \, d\theta \, d\varphi}{\int_0^{2\pi} \int_0^{\pi} G(\theta, \varphi) \cdot \sin \theta \, d\theta \, d\varphi}$$

Antenna noise temperature due to physical temperature T_P of antenna:

$$T_{AP} = \left(\frac{1}{e_A} - 1 \right) T_P \quad e_A \approx 0,9-1$$

Cumulative noise temperature at receiver input:

$$T_a = T_A e^{-2\alpha l} + T_{AP} e^{-2\alpha l} + T_0 (1 - e^{-2\alpha l})$$

Seite 11



CTIA Measurements

CTIA acceptance tests include Over-the-Air measurement in a reflection and interference-free environment.

Key aspects included:

- Shielded Anechoic chamber – Controlled environment
- Over-the-Air tests include
 - Base Station Simulator interface
 - Radiated power pattern
 - Sensitivity pattern (Bit-error-rate, for GSM BER=2.44%)
 - Intermediate channel test
- Fixed spherical grids: Theta-Phi:
 - Radiated power: Every 15 degrees in theta and phi, excluding 0 and 180, 2-pols
 - Sensitivity: Every 30 degrees in theta and phi, excluding 0 and 180, 2-pols

CTIA - Cellular Telecommunications & Internet Association

Seite 12



CTIA Measurements: Radiated Power

Total Radiated Power (TRP)

Integration over the complete sphere

$$\text{TRP} = \frac{1}{4\pi} \int_0^{2\pi} \int_0^{\pi} \left(\text{EIRP}_{\theta}(\theta, \varphi) + \text{EIRP}_{\varphi}(\theta, \varphi) \right) \cdot \sin\theta \, d\theta \, d\varphi$$

Near-Horizon Partially Radiated Power

Integration $\pm 30^\circ$ or $\pm 45^\circ$ from horizon

$$\text{NHPRP}_{45} = \frac{1}{4\pi} \int_0^{2\pi} \int_{\pi/4}^{3\pi/4} \left(\text{EIRP}_{\theta}(\theta, \varphi) + \text{EIRP}_{\varphi}(\theta, \varphi) \right) \cdot \sin\theta \, d\theta \, d\varphi$$

$$\text{NHPRP}_{30} = \frac{1}{4\pi} \int_0^{2\pi} \int_{\pi/3}^{2\pi/3} \left(\text{EIRP}_{\theta}(\theta, \varphi) + \text{EIRP}_{\varphi}(\theta, \varphi) \right) \cdot \sin\theta \, d\theta \, d\varphi$$



CTIA Measurements: Sensitivity

Total Isotropic Sensitivity
(TIS)

Integration over the
complete sphere

$$\text{TIS} = \frac{4\pi}{\int_0^{2\pi} \int_0^{\pi} \left(\frac{1}{EIS_{\theta}(\theta, \varphi)} + \frac{1}{EIS_{\varphi}(\theta, \varphi)} \right) \cdot \sin\theta \, d\theta \, d\varphi}$$

Near-Horizon Partial
Isotropic Sensitivity

Integration $\pm 30^\circ$ from
horizon

$$\text{NHPIS30} = \frac{4\pi}{\int_0^{2\pi} \int_{\pi/3}^{2\pi/3} \left(\frac{1}{EIS_{\theta}(\theta, \varphi)} + \frac{1}{EIS_{\varphi}(\theta, \varphi)} \right) \cdot \sin\theta \, d\theta \, d\varphi}$$



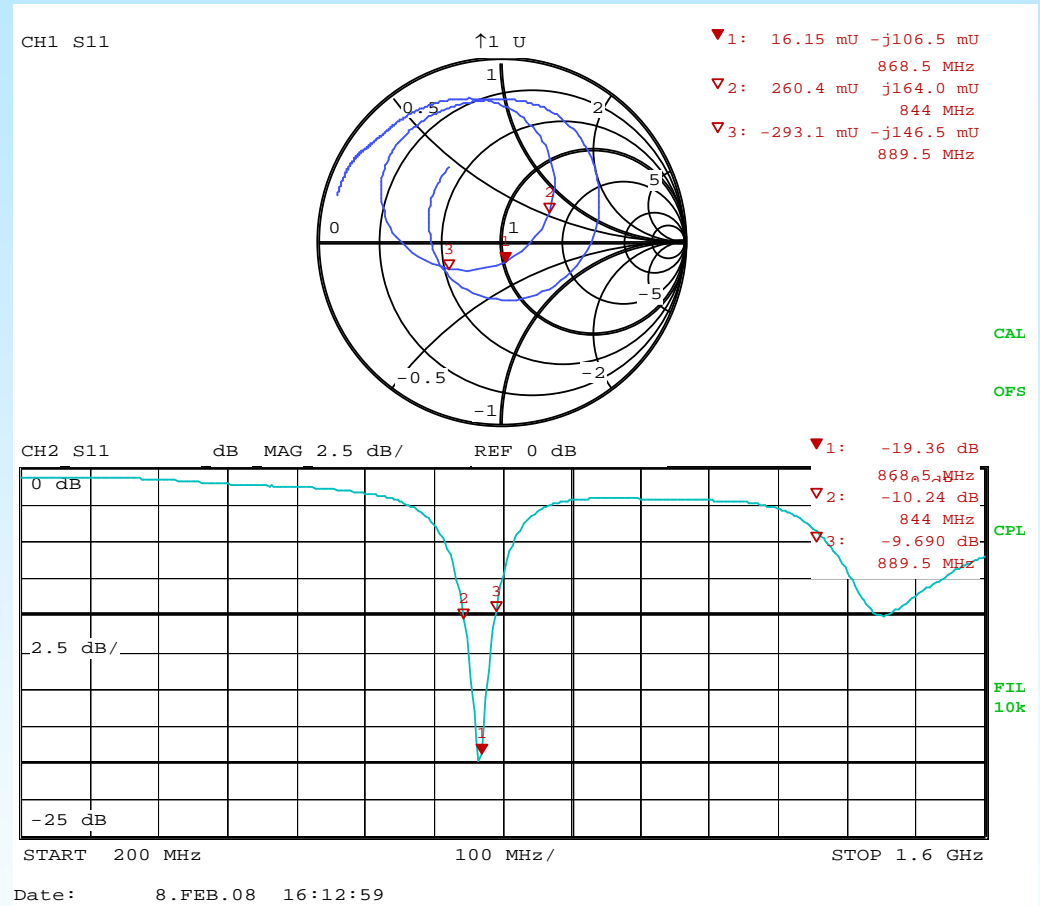
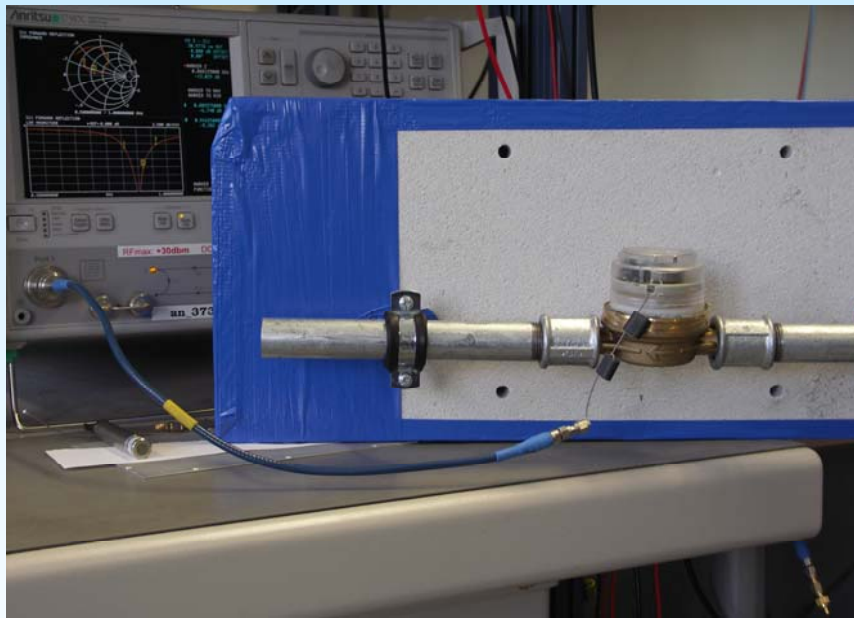
Methods not Needing an Anechoic Chamber



Input Impedance: Wireless Transmitter in Water Metering System

Measurement of Matching Properties at Vector Network Analyzer

Simulated environment with water pipe segment and porous concrete brick



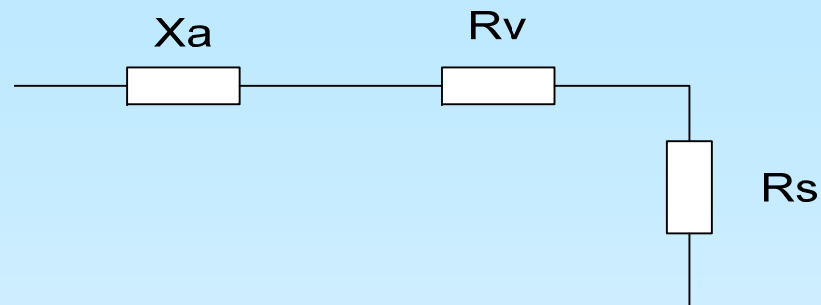
Wheeler Cap

Only applicable for determining the efficiency of an antenna

Comparison between free space operation and operation in a small resonator

Equivalent circuit of an antenna

Efficiency definition based on network elements



$$Z_A = R_v + R_s + jX_A$$

$$\eta = \frac{R_s}{R_s + R_v}$$



Wheeler Cap

Measurement of Z using VNA in free space

Real part related to radiation and loss resistance

Measurement of Z with Wheeler Cap

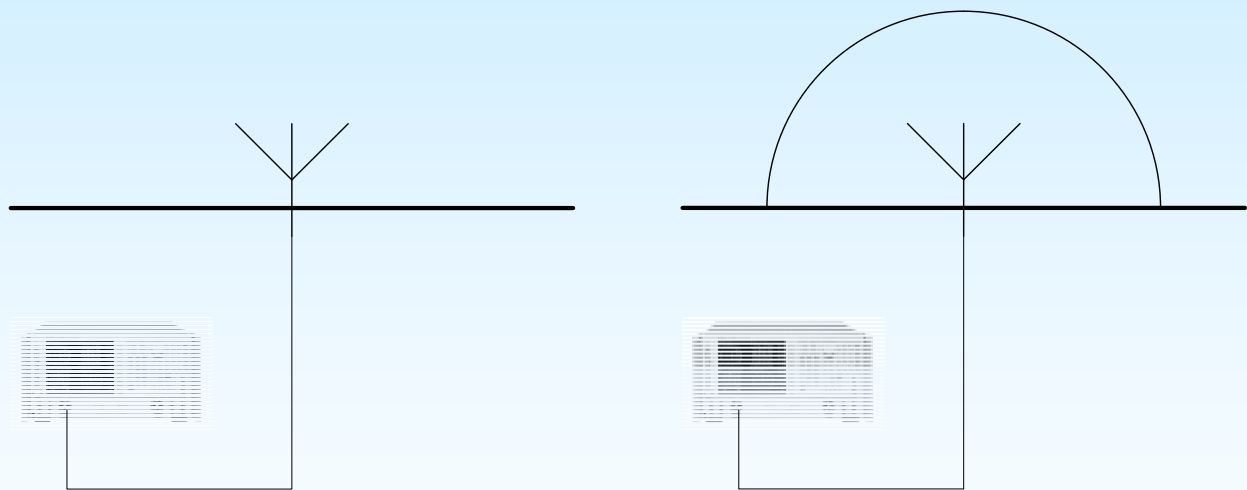
Real part related to loss resistance only

Radius of Wheeler Cap should be smaller than $\lambda/2\pi$

$$Z_{FreeSpace} = R_S + R_L + jX$$

$$Z_{Wheeler} = R_L + jX$$

$$\eta = \frac{\operatorname{Re}(Z_{FreeSpace}) - \operatorname{Re}(Z_{Wheeler})}{\operatorname{Re}(Z_{FreeSpace})}$$



Seite 18



GTEM Cell Measurement

Coaxial Line



Seite 19



GTEM Cell Measurement

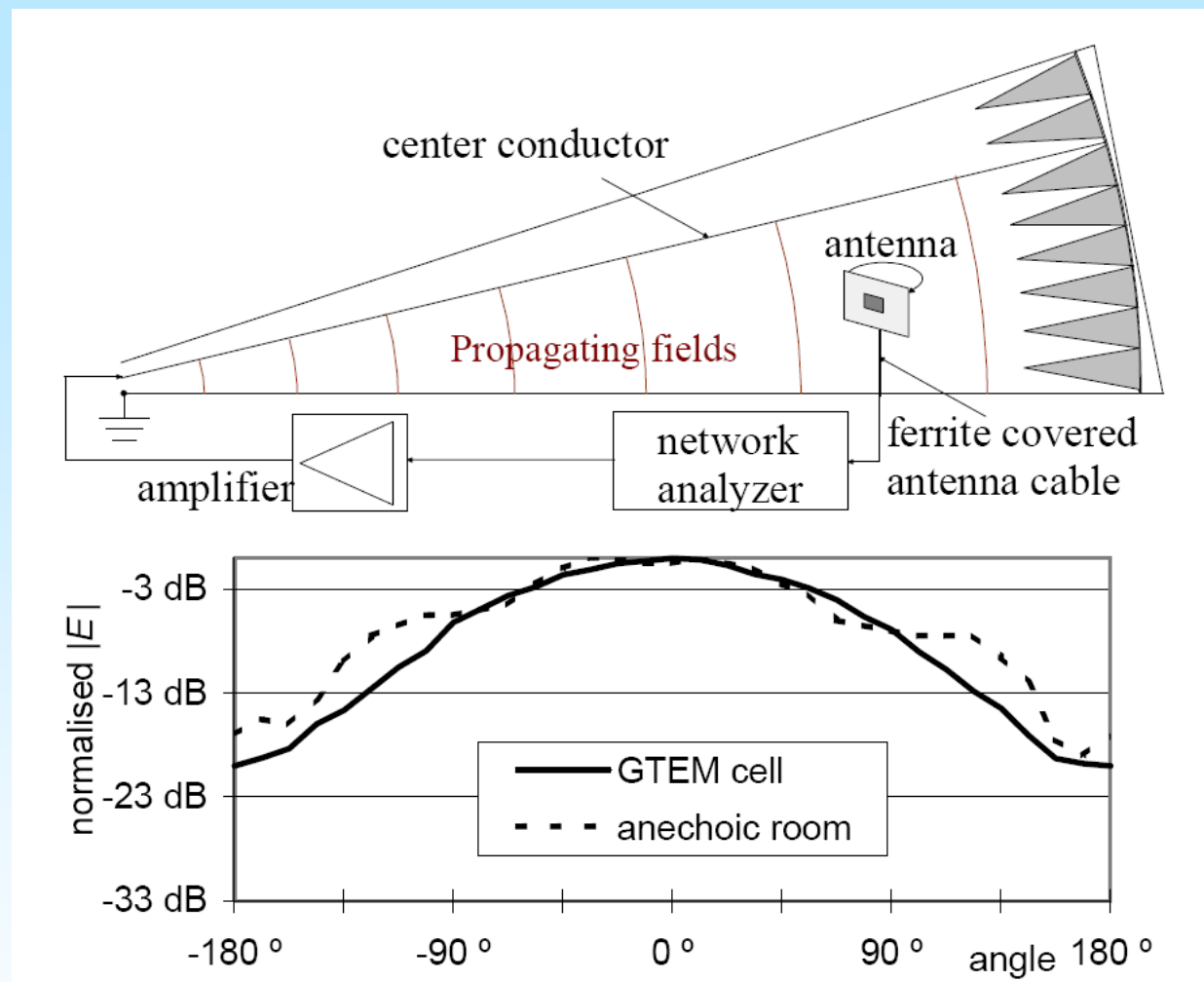
Antenna placed in the homogenous field region of the GTEM cell

Rotation around y-axis of cell

Power measured using VNA

Comparison with anechoic chamber measurement shows a good agreement for a $\lambda/4$ patch @ 1.92 GHz

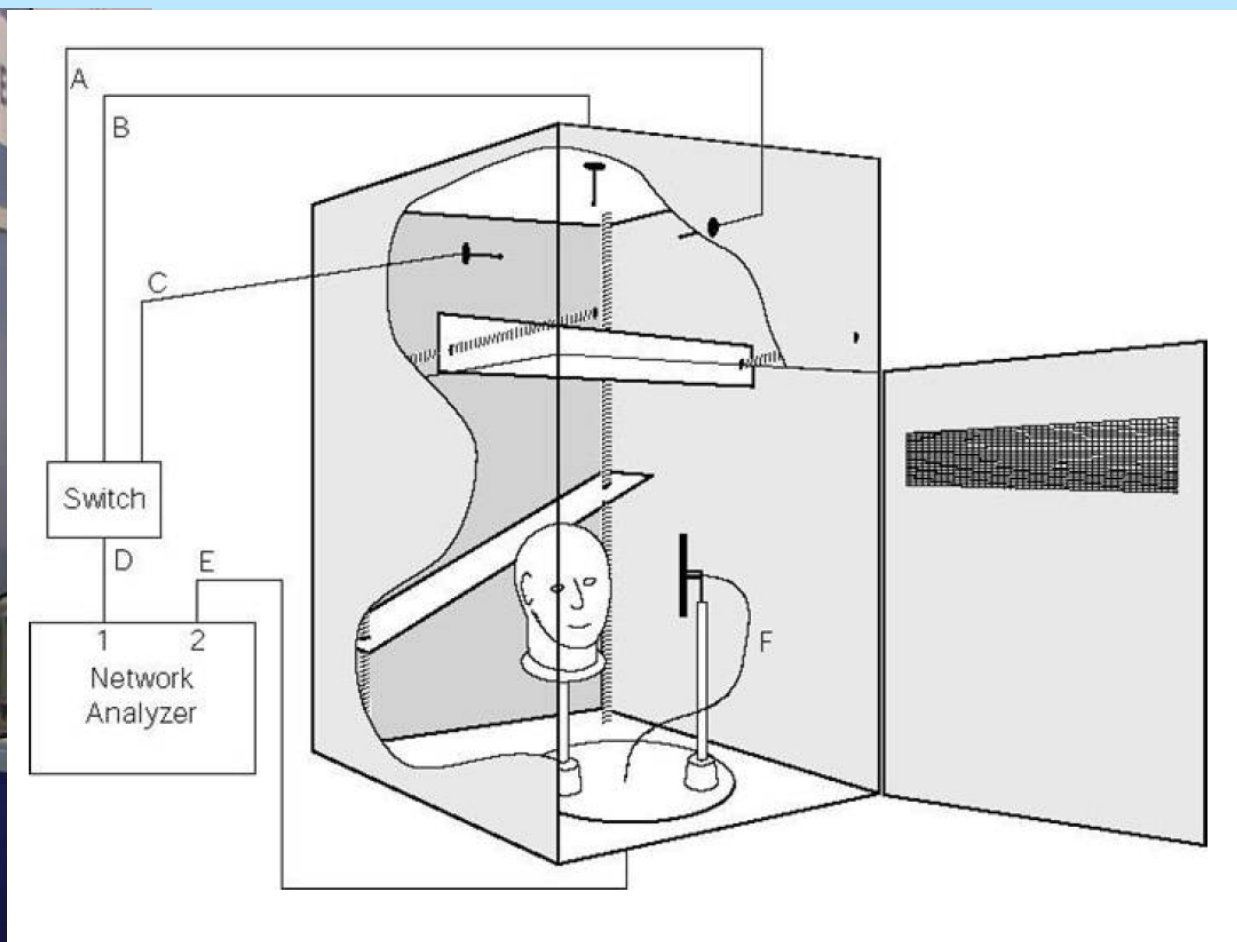
Efficiency also possible



Seite 20



Reverberation Chamber



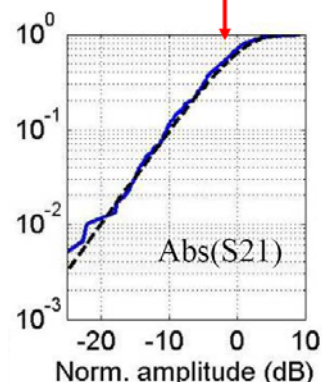
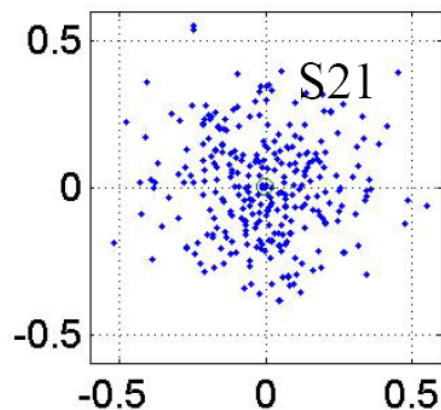
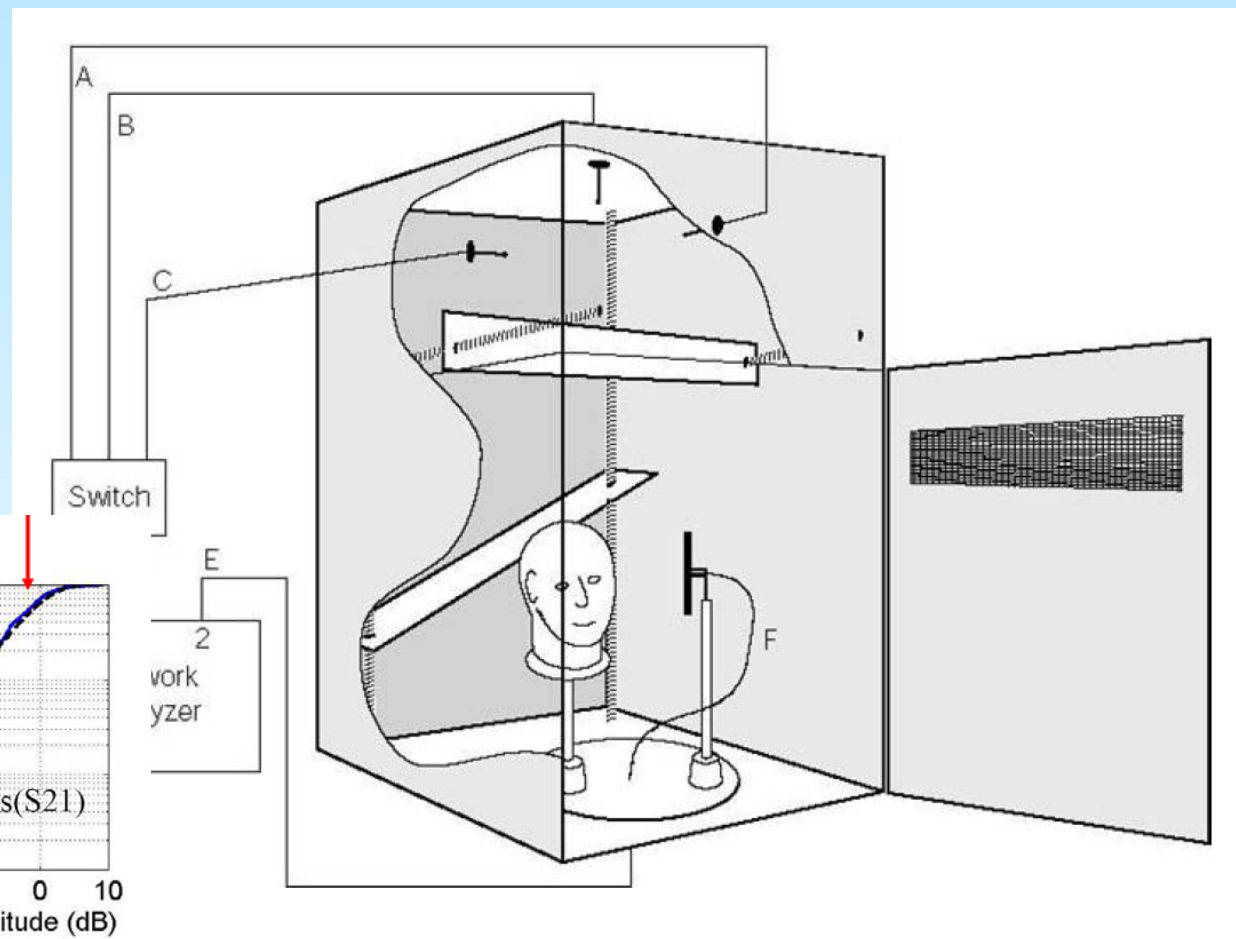
Picture Source: <http://www.bluetest.se>



Reverberation Chamber

Mode stirring chamber

Rayleigh-Fading channel
 can be simulated as S_{21} has
 complex Gaussian
 distribution and a Rayleigh
 envelope



Reverberation Chamber: Determination of Antenna Parameters

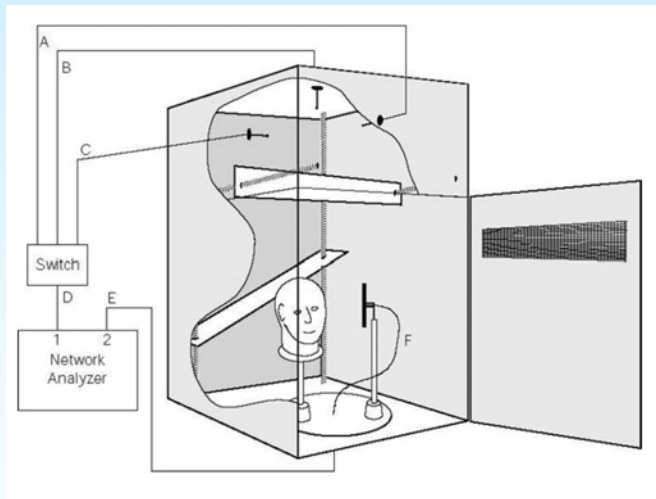
Averaging over N stirring positions

Free Space Reflection Coefficient of AUT

$$\bar{S}_{22} = \frac{1}{N} \sum_{n=1}^N S_{22}^{(n)}$$

Relative received power of AUT

$$P_{AUT} = \frac{1}{N} \sum_{n=1}^N \frac{|S_{21}^{(n)}|^2}{(1 - |\bar{S}_{11}|^2)(1 - |\bar{S}_{22}|^2)}$$



Radiation efficiency is related to a well known reference antenna

$$\eta = \frac{P_{AUT}}{P_{ref}} (1 - |\bar{S}_{22}|^2)$$



Antenna Noise Temperature



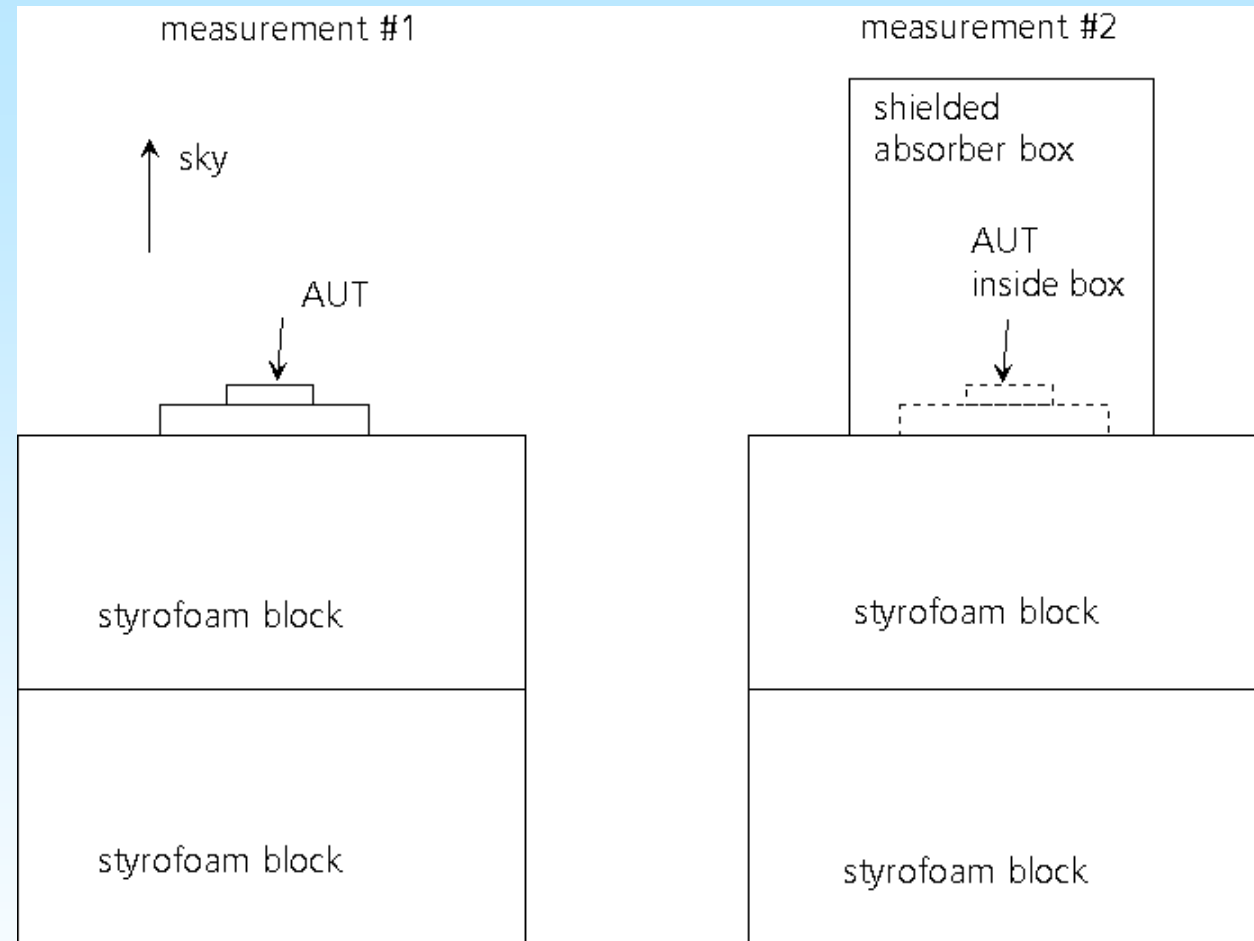
- Outdoor Method
- Measurement in an electromagnetically quiet environment
- Possible for low gain antennas with $D > 4-5$ dBi
- Adaptation of method for measurements in house in process
- For directivities below 3 dBi a direct method is required which can evaluate the received power level



Antenna Noise Temperature

Y-Factor Method:

- Compare the received power when antenna is pointing to cold sky with a black radiator at environment temperature



Seite 25



Anechoic Chamber Methods



Near-field Scan Types

Planar Near-field

- Directional antennas
- Gain > 15 dBi
- Max angle < $\pm 70^\circ$

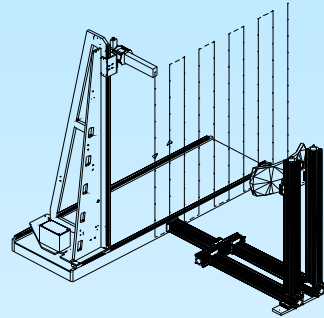
Cylindrical Near-field

- Fan beam antennas
- Wide side/ backlobes

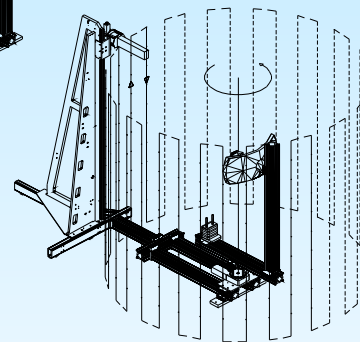
Spherical Near-field

- Low gain antennas
- Wide or omni-directional patterns on any antennas

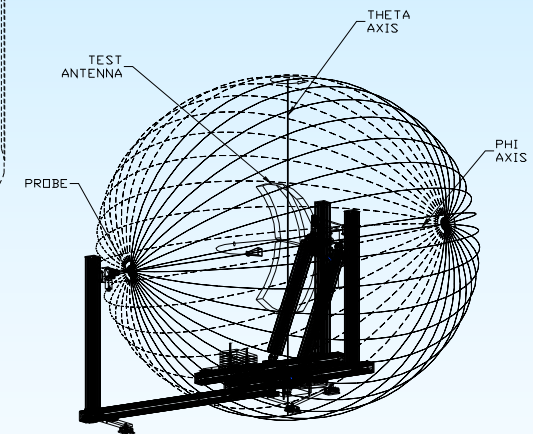
Planar



Cylindrical

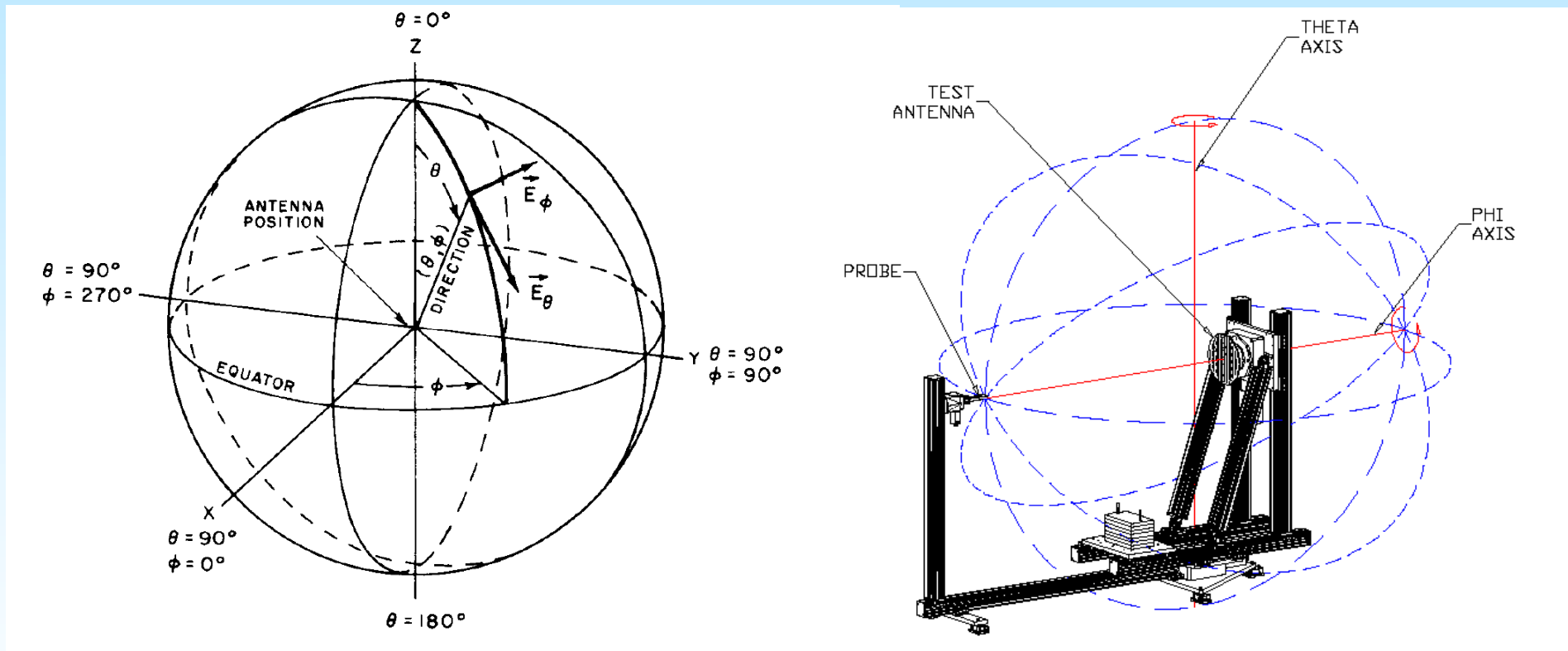


Spherical



Spherical Coordinate System and Spherical Scanner for Spherical Far- or Near-Field Methods

Small antennas need to be measured on spherical scanners as they can collect the complete radiation

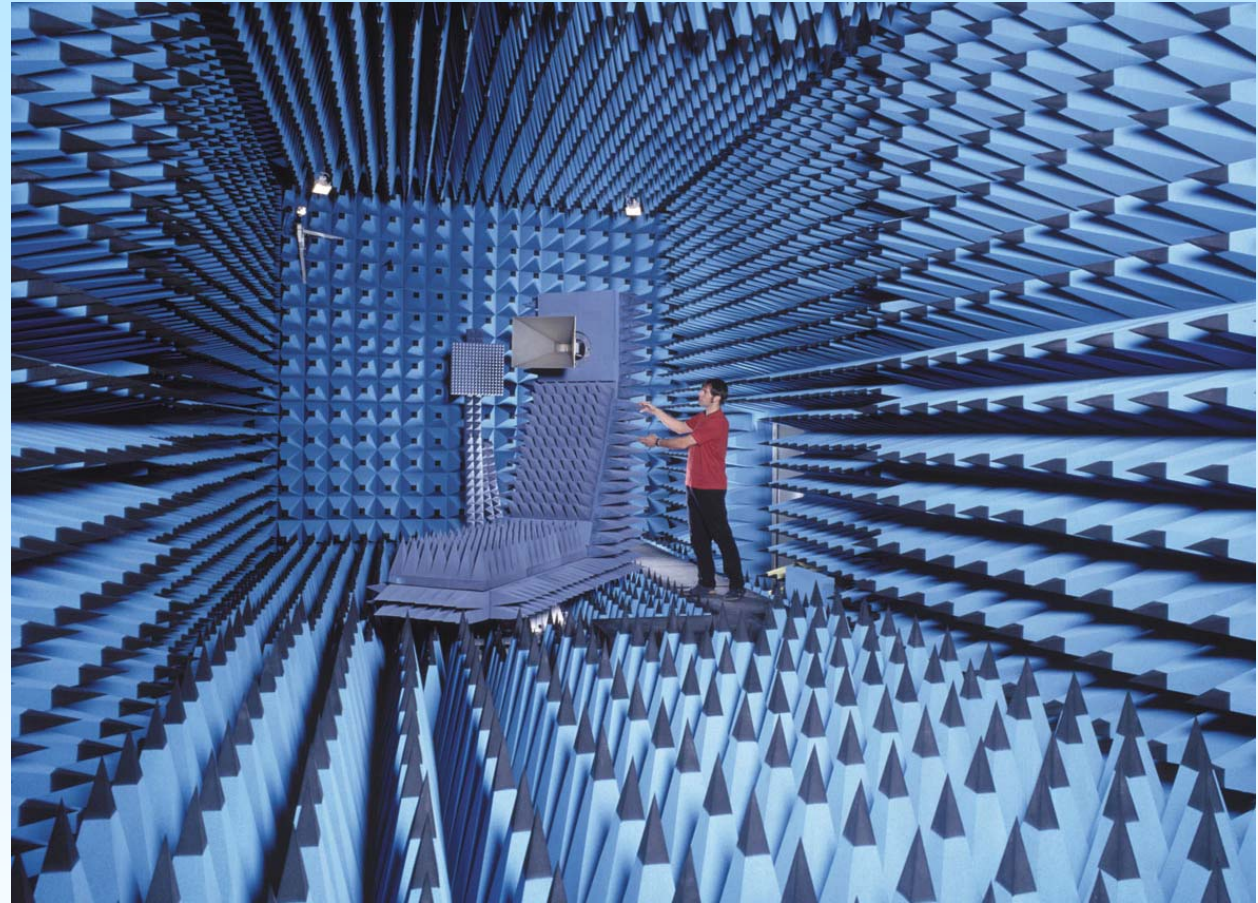
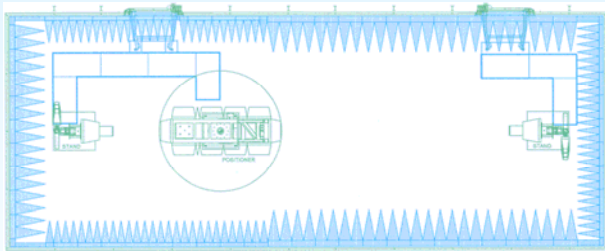


Seite 28



Combined Far-/Near-Field Antenna Test Range at Fraunhofer IIS

- Size: 6m x 6m x 15m
- Frequency range: 0.5 GHz - 40 GHz
- Max. probe – AUT distance: 7.5m
- Spherical Scanner (NSI 700S-60)

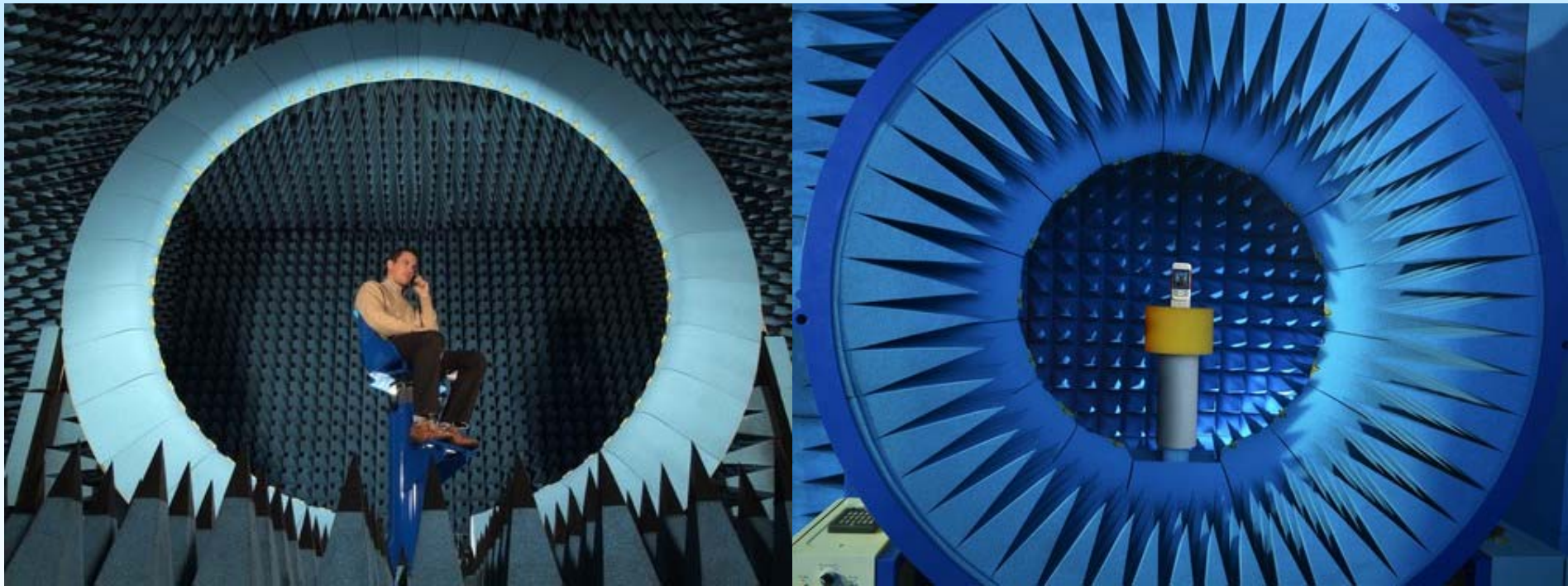


Seite 29



Near-Field: Stargate / Starlab by Satimo

Switched multiple probe approach lead to fast measurement times and reduced shadowing by absorbers



Picture Source: http://www.satimo.fr/eng/index.php?categoryid=171&p2008_sectionid=5

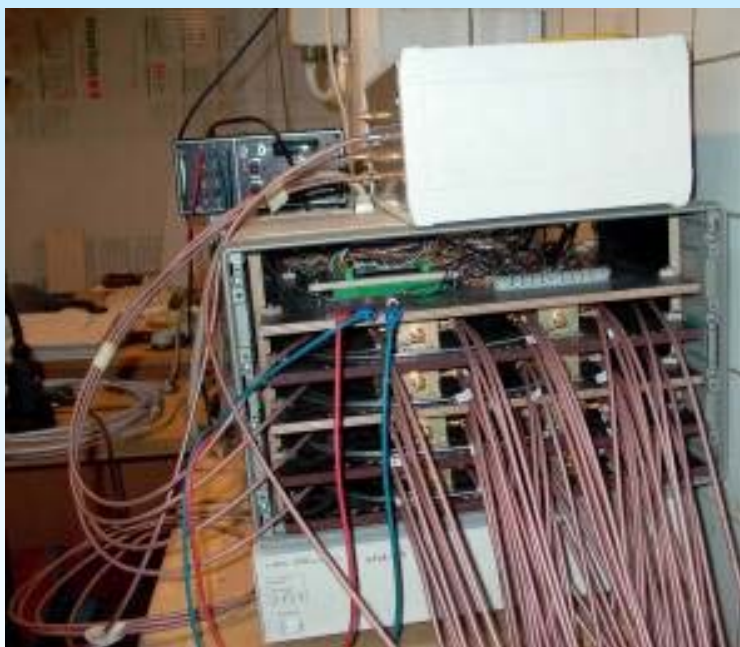
Seite 30



Near-Field: RAMS by TKK

Multi-arch architecture

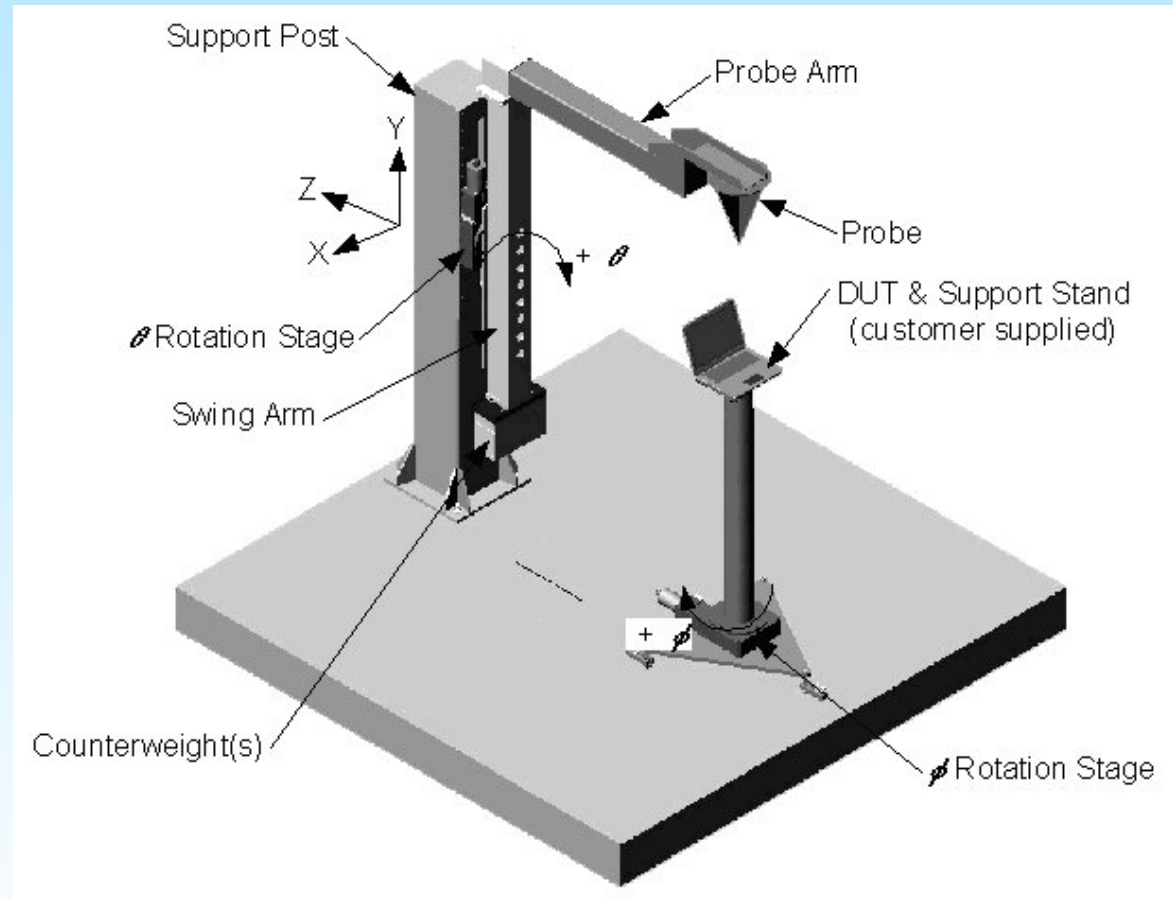
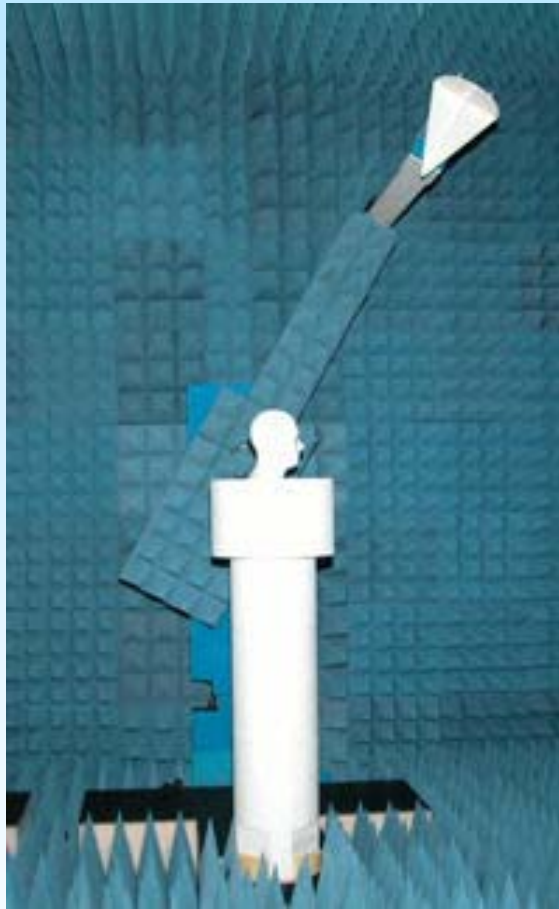
Measurement times should reduce to some ten ms, so it can be used to characterise the radiation properties of mobile handsets for all relevant communications systems, with the possibility to perform tens of full 3-D measurements within a second



Picture Source: <http://www.hut.fi/Units/Radio/research/RAMS.html>



CTIA Measurements



Picture Source: <http://www.nearfield.com/Sales/datasheets/NSI-700S-90-CTIA.htm>

Seite 32



Measurement Impairments



Sources of Errors

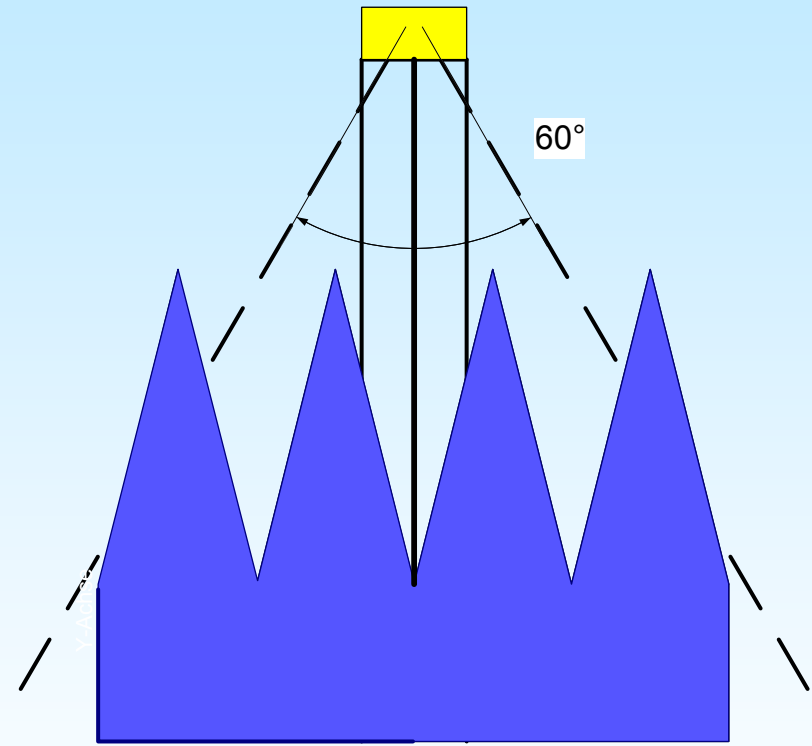
Cabling	jacket currents on cables Exact positioning and fixture of cables
Mismatch	BALUNs and impedance transformation at antenna footpoint
Fixture	Reflective Fixtures Size of fixture Repeatability of mounting antenna to fixture
Scanner	Shadowing effects Reflection on metallic interface Misalignment



Shadowing Caused by Positioner and Absorber



Theta Scan range is limited to positioner and Absorber nearby AUT – reduction of about 30° for a half sphere



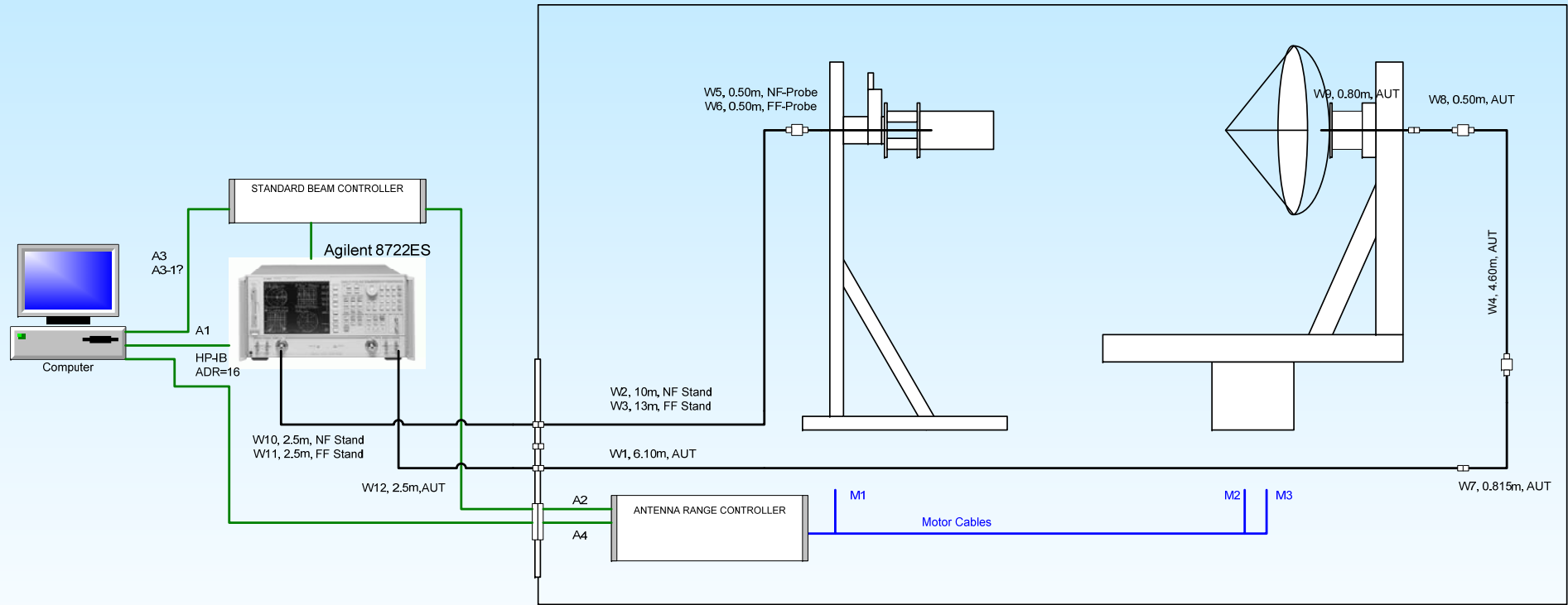
Seite 35



Detailed Measurement Setups



Setup for Pattern and Gain Measurement in Near-Field Mode (same for Far-Field Mode)



Seite 37



Setup of Measurement Example

AUT size:

20mm x 30mm x 10mm

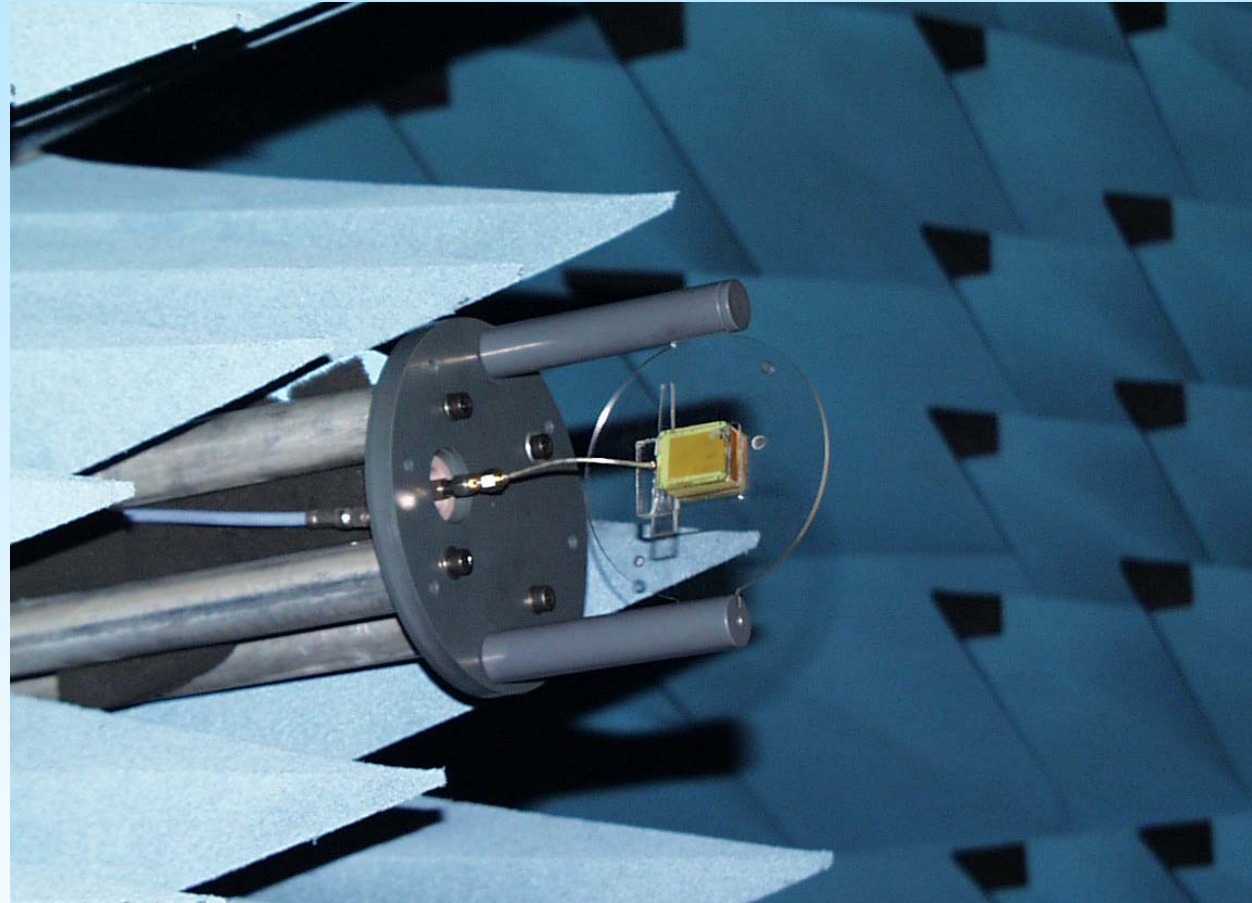
Fixture size:

200mm x 200mm

Absorber:

40 cm pyramidal absorber

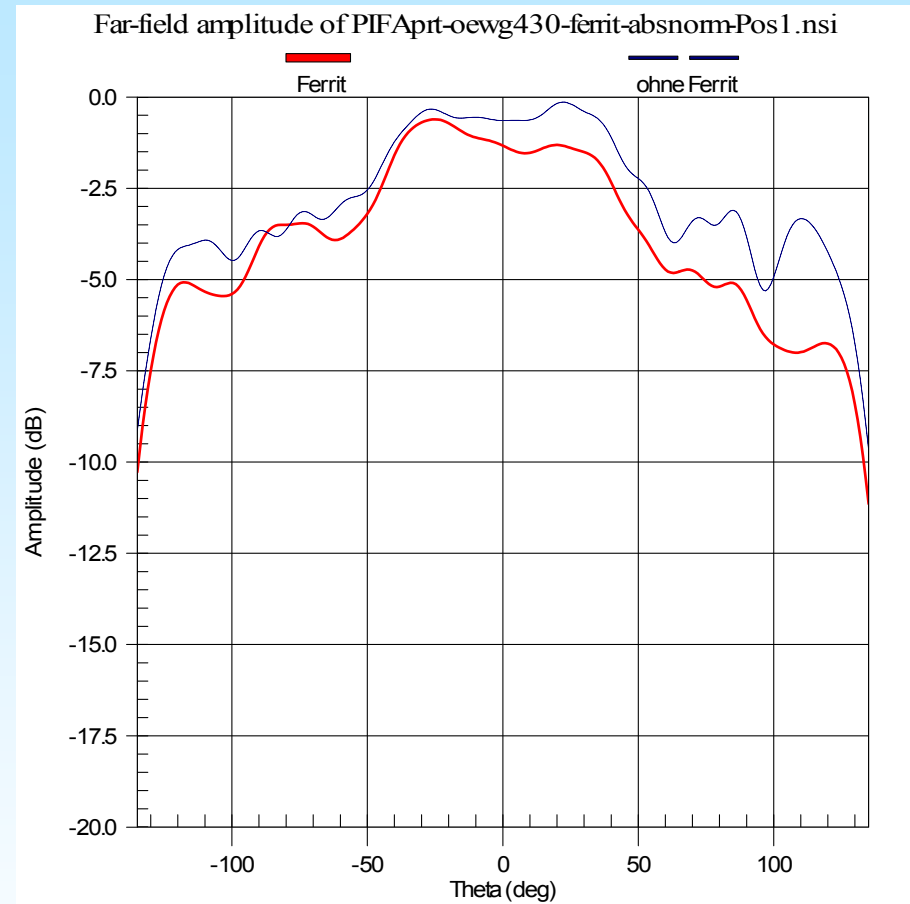
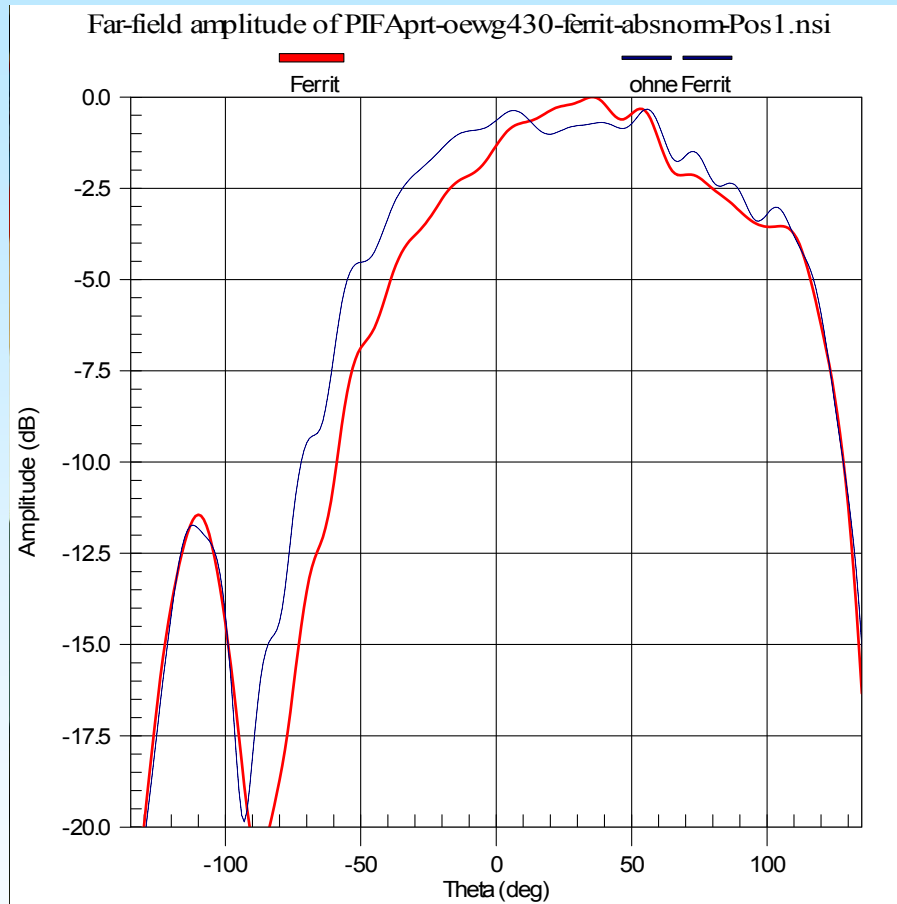
- Different cabling
- Different absorber position



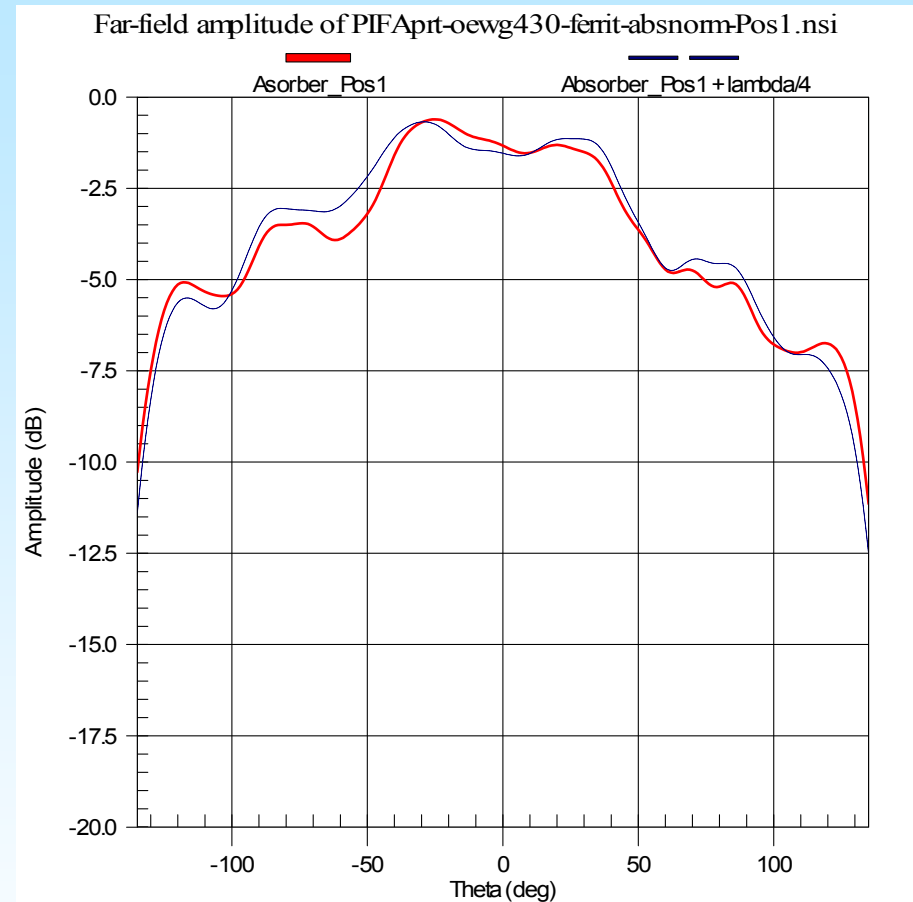
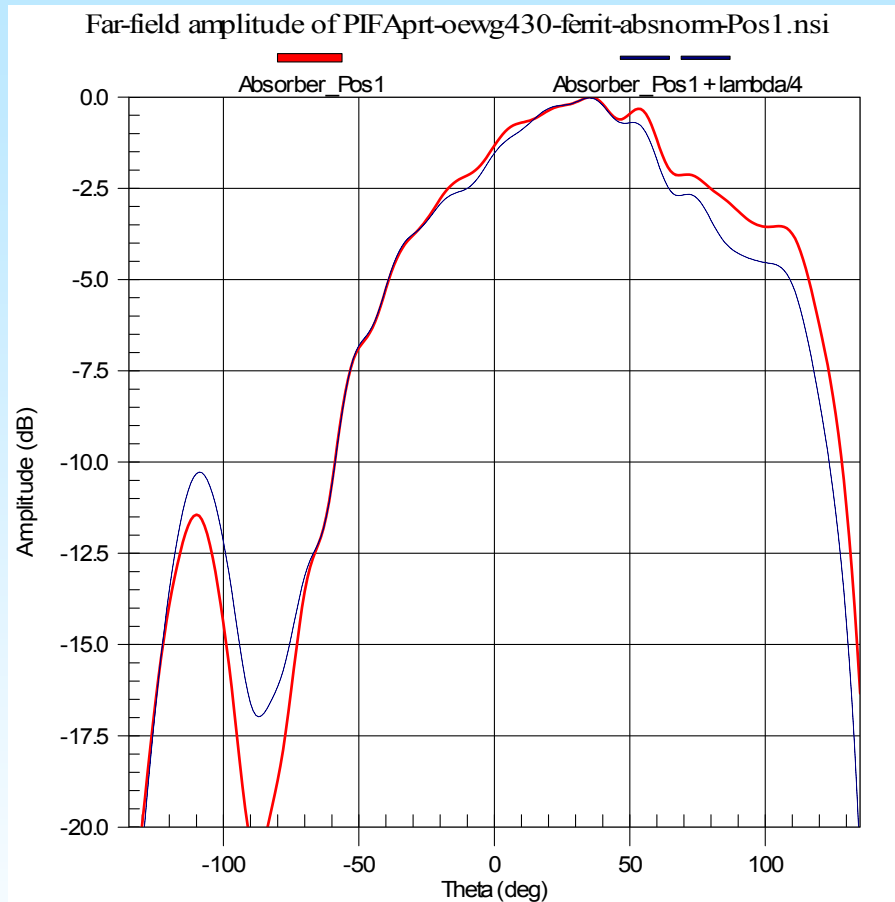
Seite 38



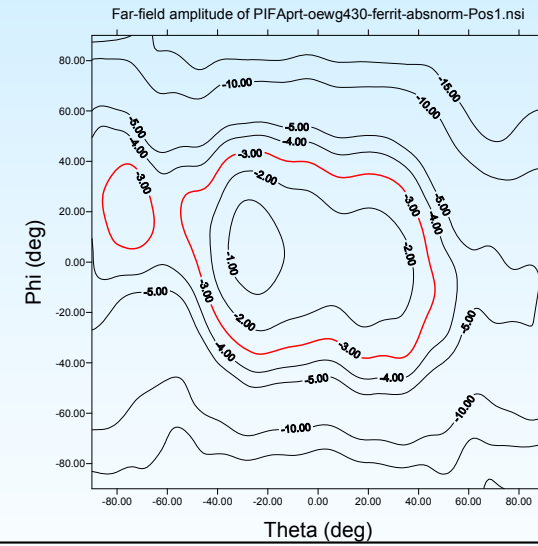
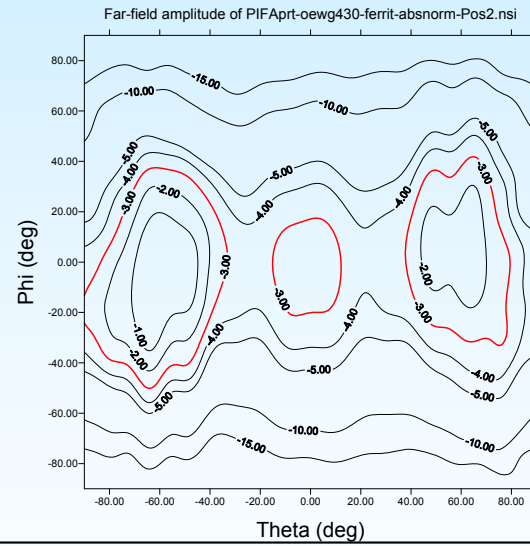
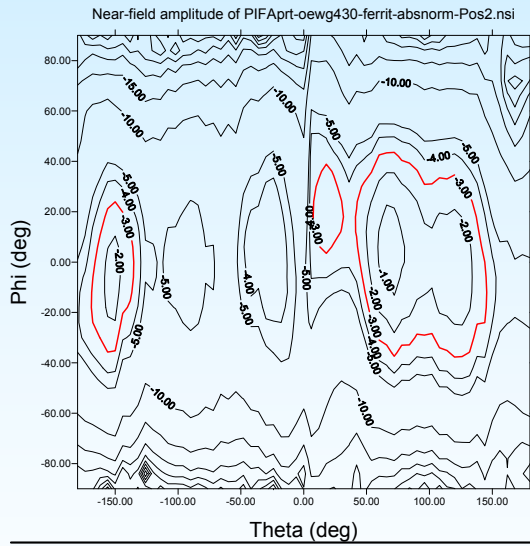
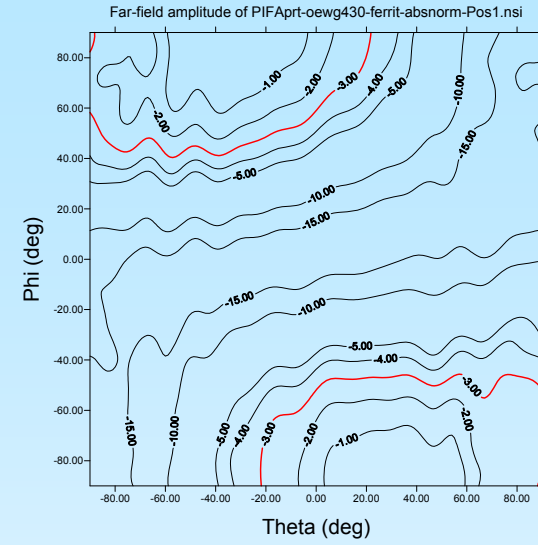
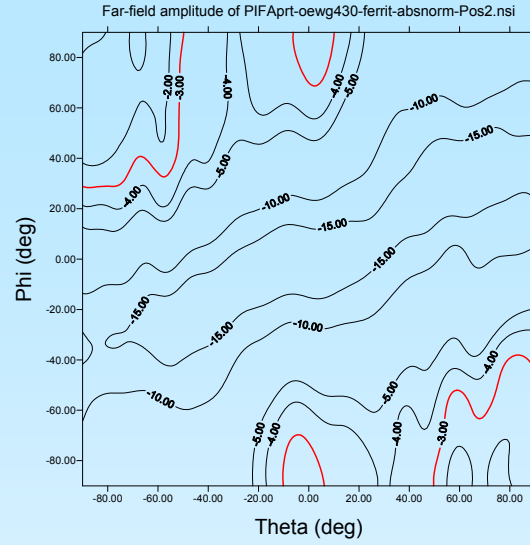
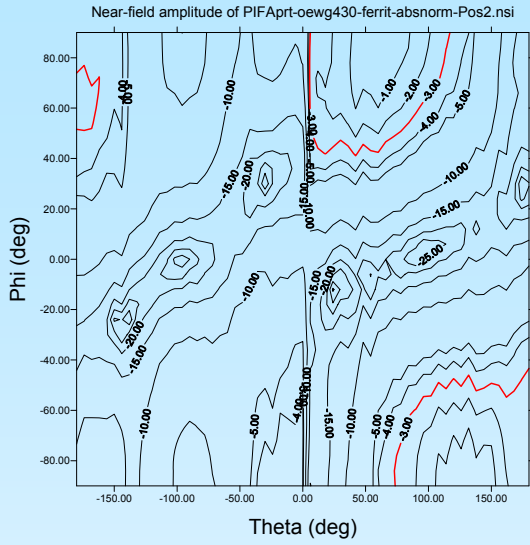
Measurement Results: Cables With and Without Ferrites to Suppress Jacket Currents



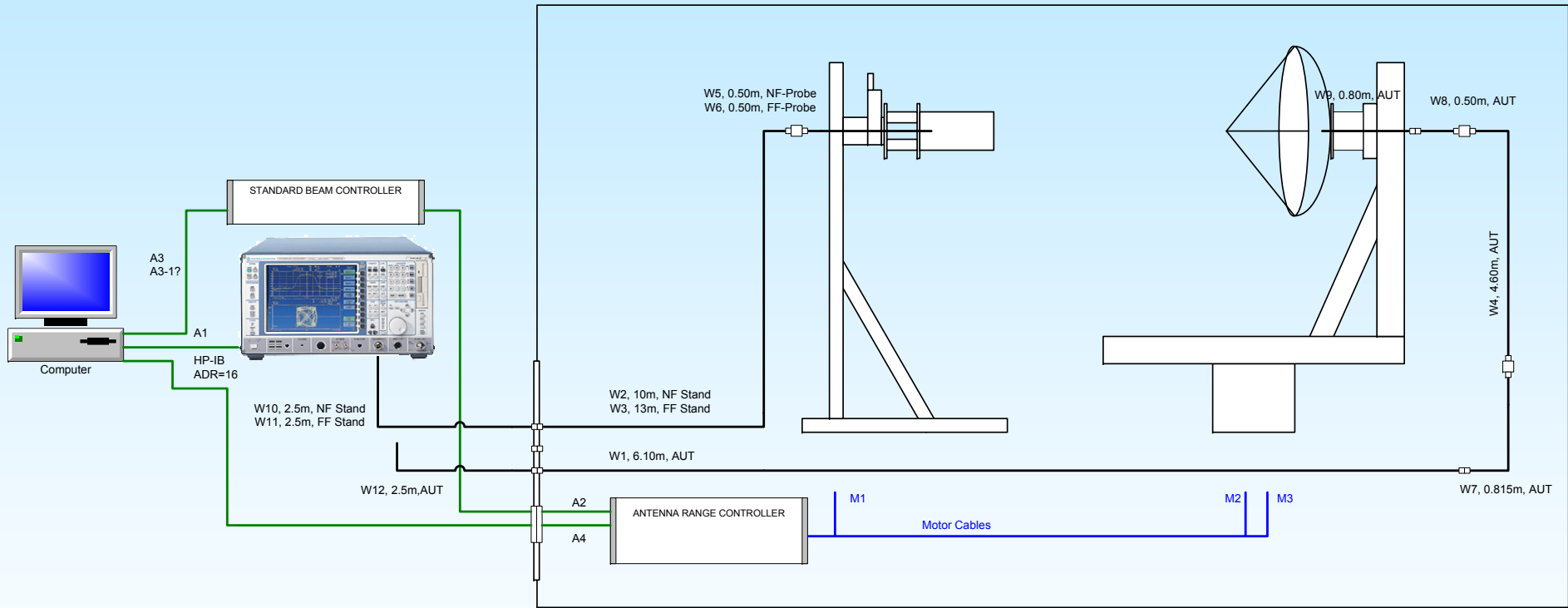
Measurement Results: Different Absorber Positions Behind Antenna, Absorber moved $\lambda/4$ towards antenna



Measurement Results: Combination of two FF Data Sets



Setup for Pattern Measurement in Far-Field Mode Using Spectrum Analyzer



Seite 42



Setup for Pattern Measurement in Far-Field Mode Using Spectrum Analyzer

Measurement is performed using a battery powered transmitter sending a CW signal

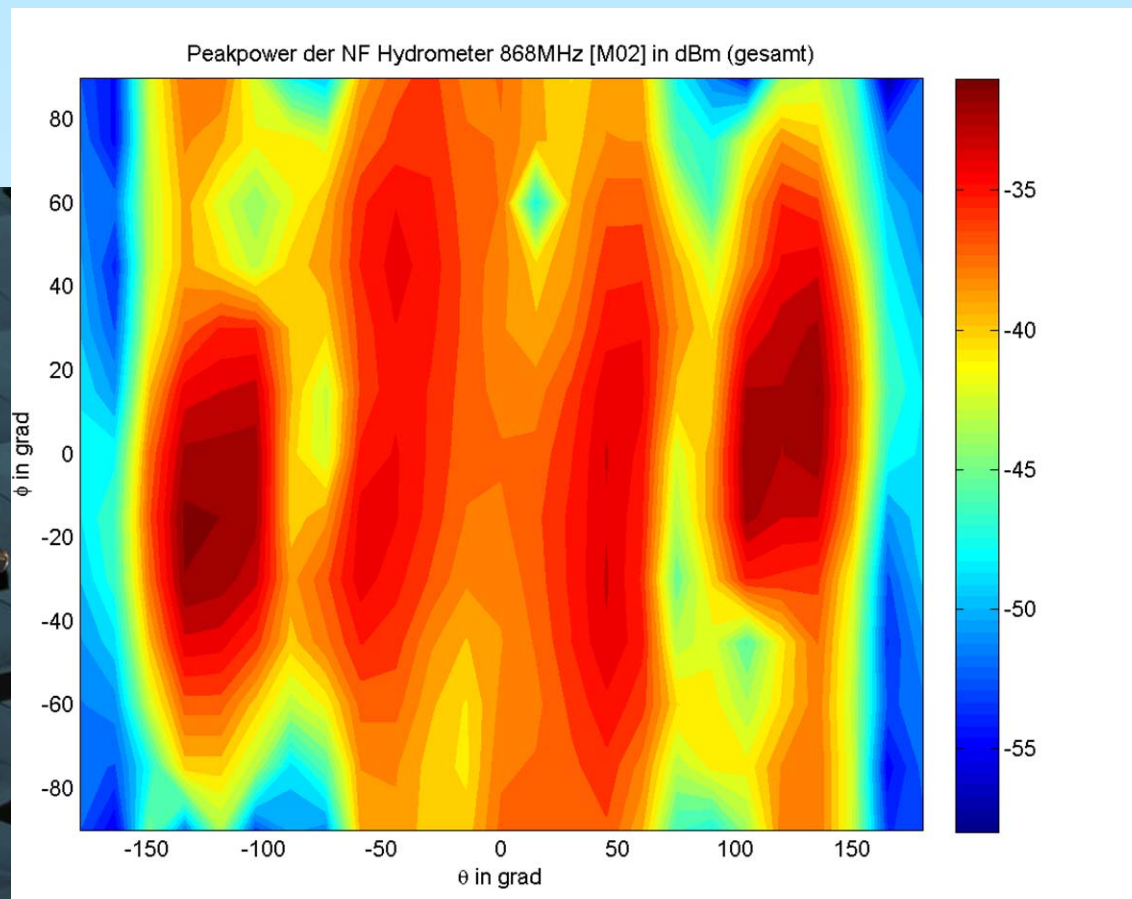
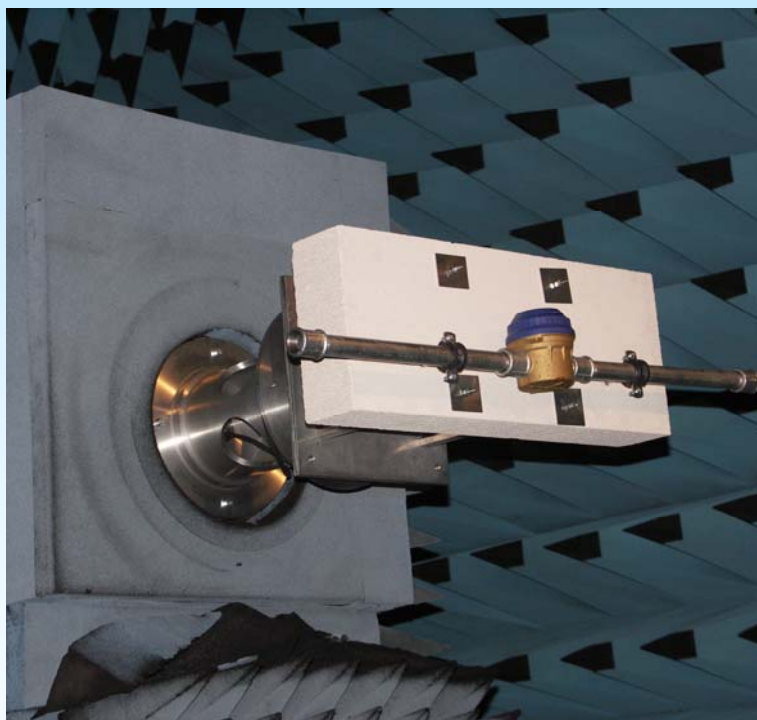
Measurements are done in STOP mode (positioner moves to position, stops, power spectrum is measured, positioner moves to next position)

Everything is done using a script to control the positioner and the spectrum analyzer



Measurement Example: Wireless Transmitter in Water Metering System

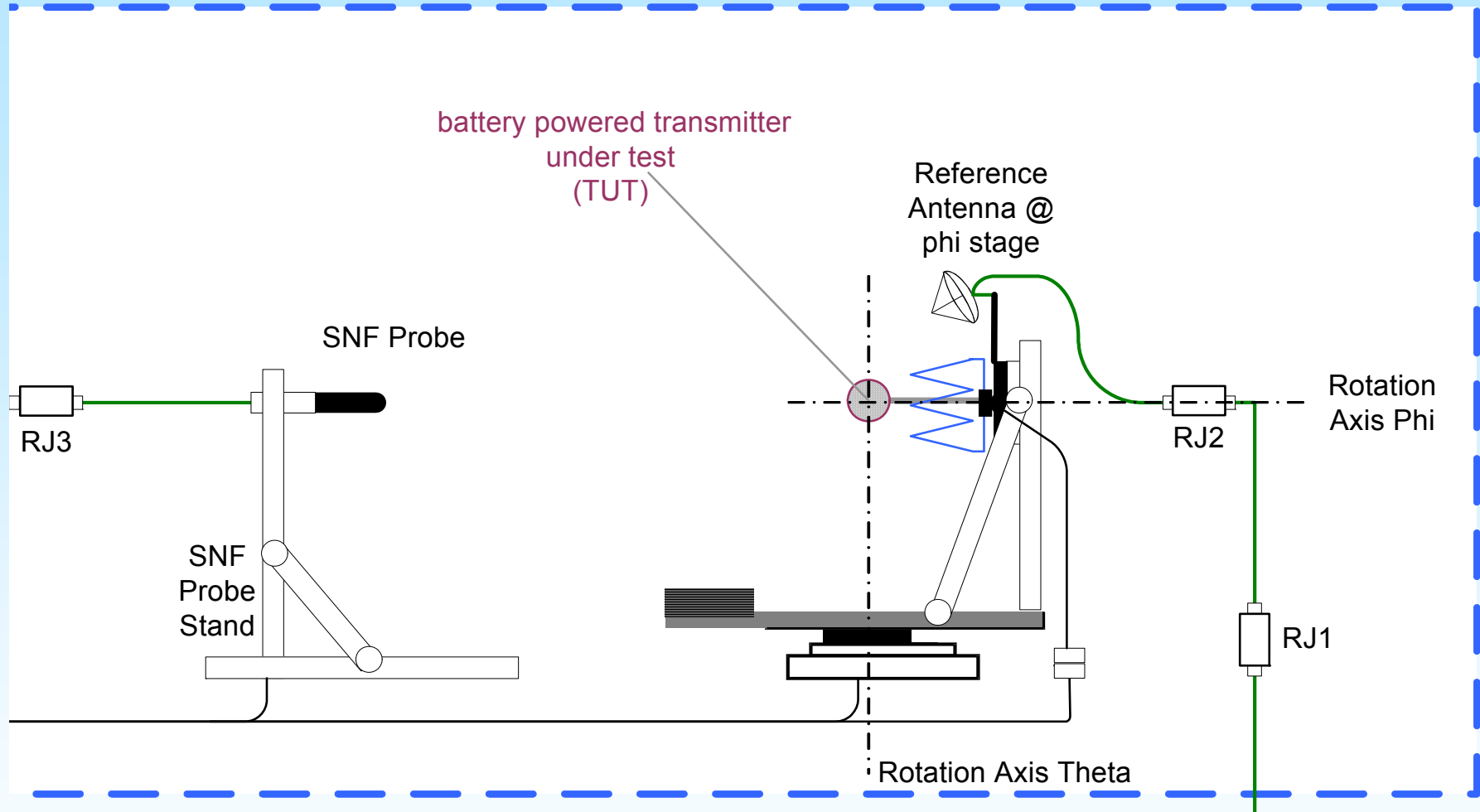
Pattern Measurement in Anechoic Chamber



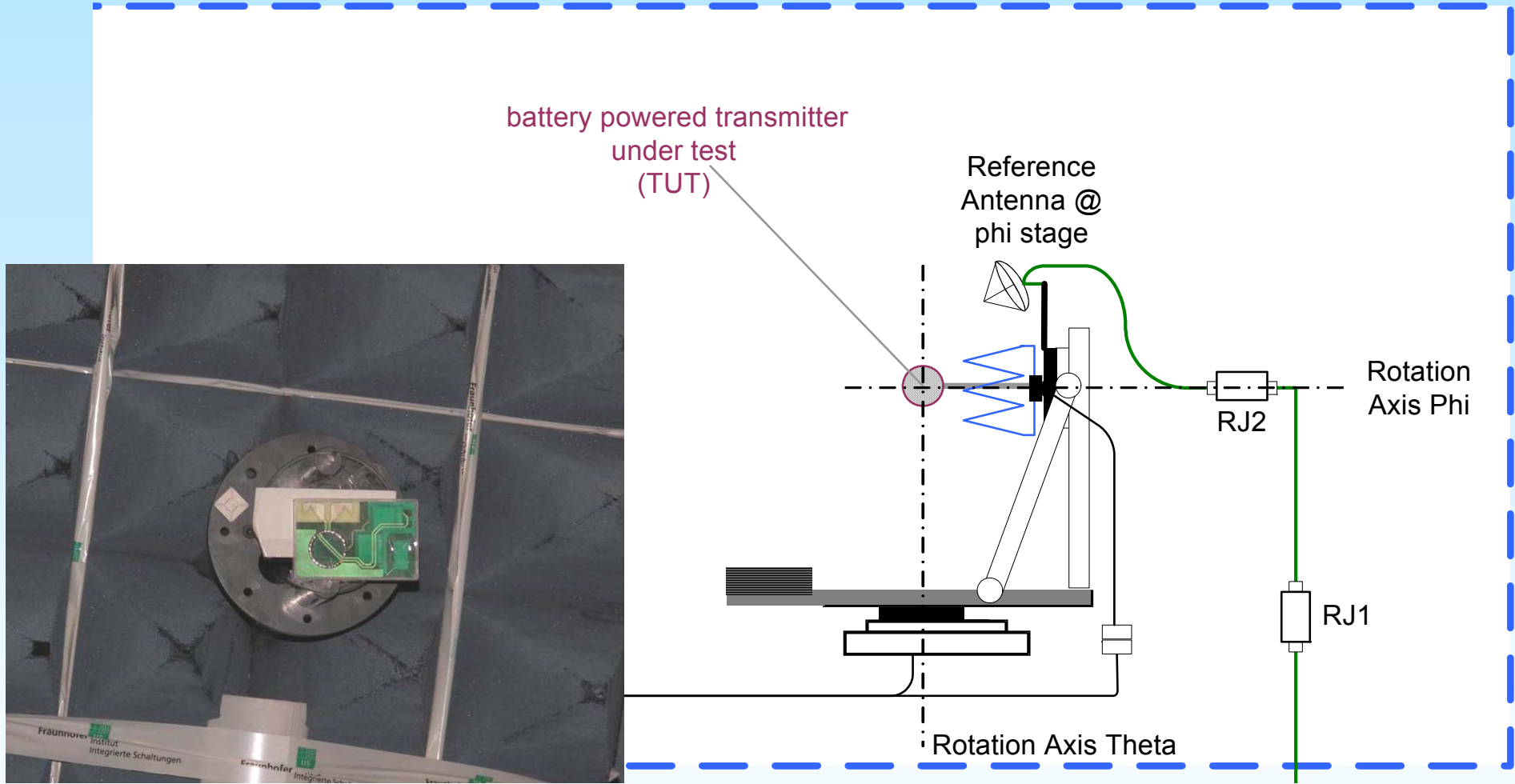
Seite 44



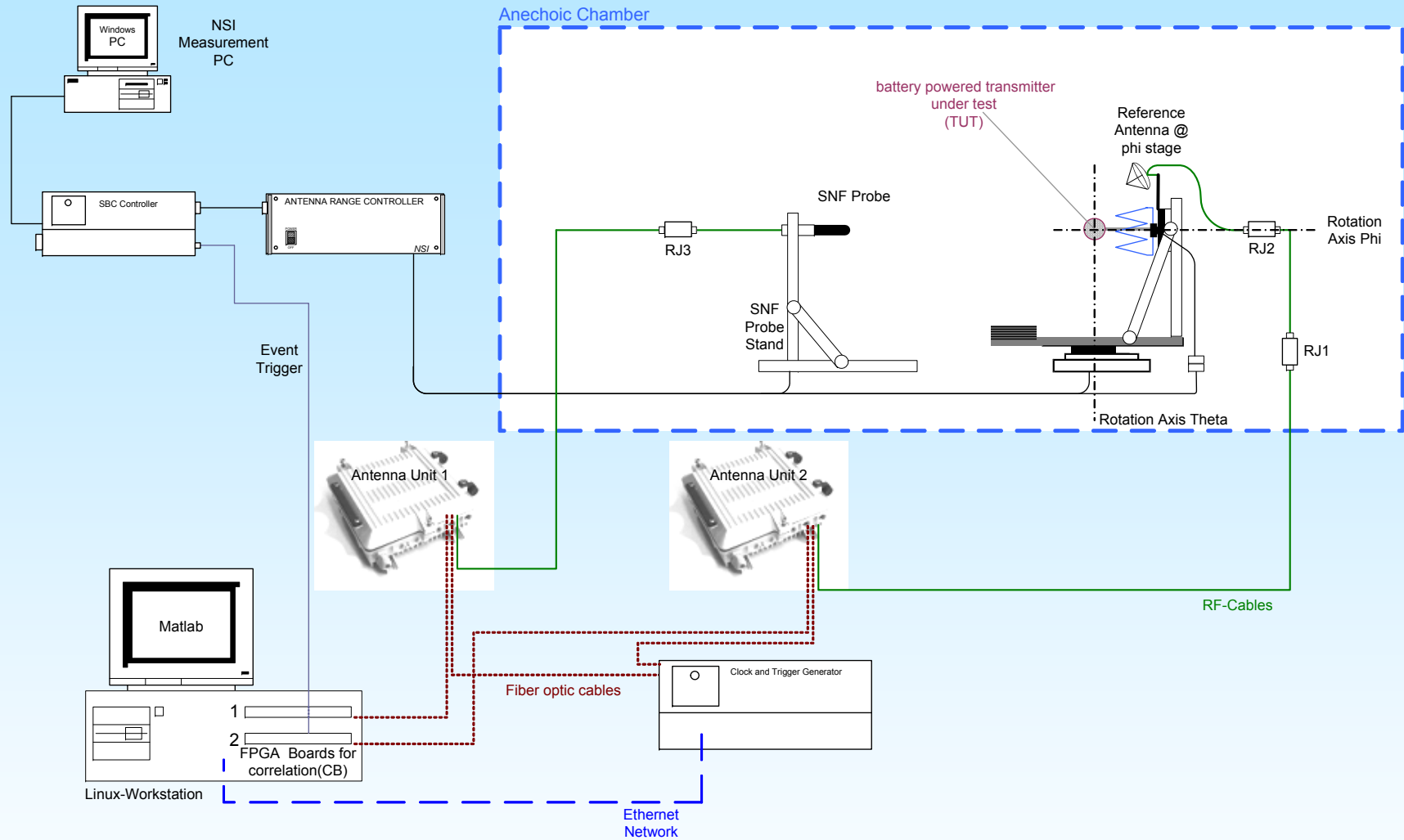
Measurement System for Time Delay Measurements



Measurement System II

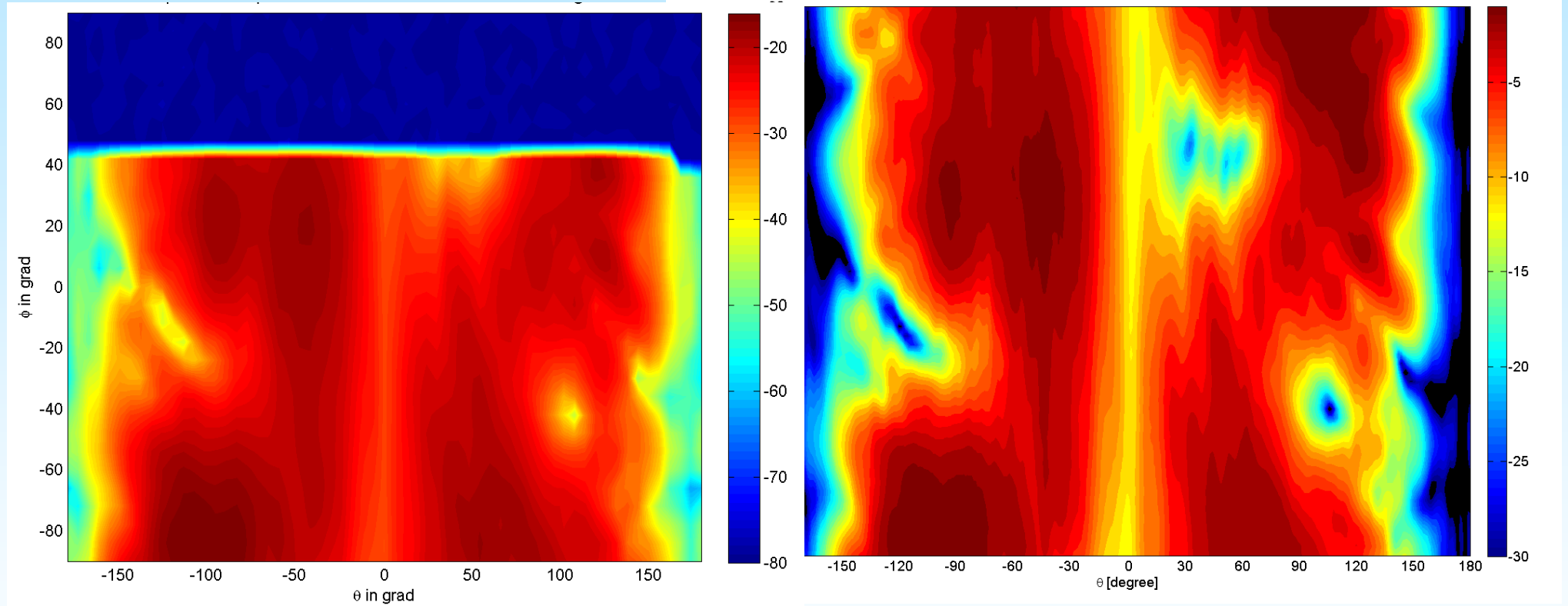


Measurement System III



Results Transmitter with Integrated Dipole Antenna

3D directivity



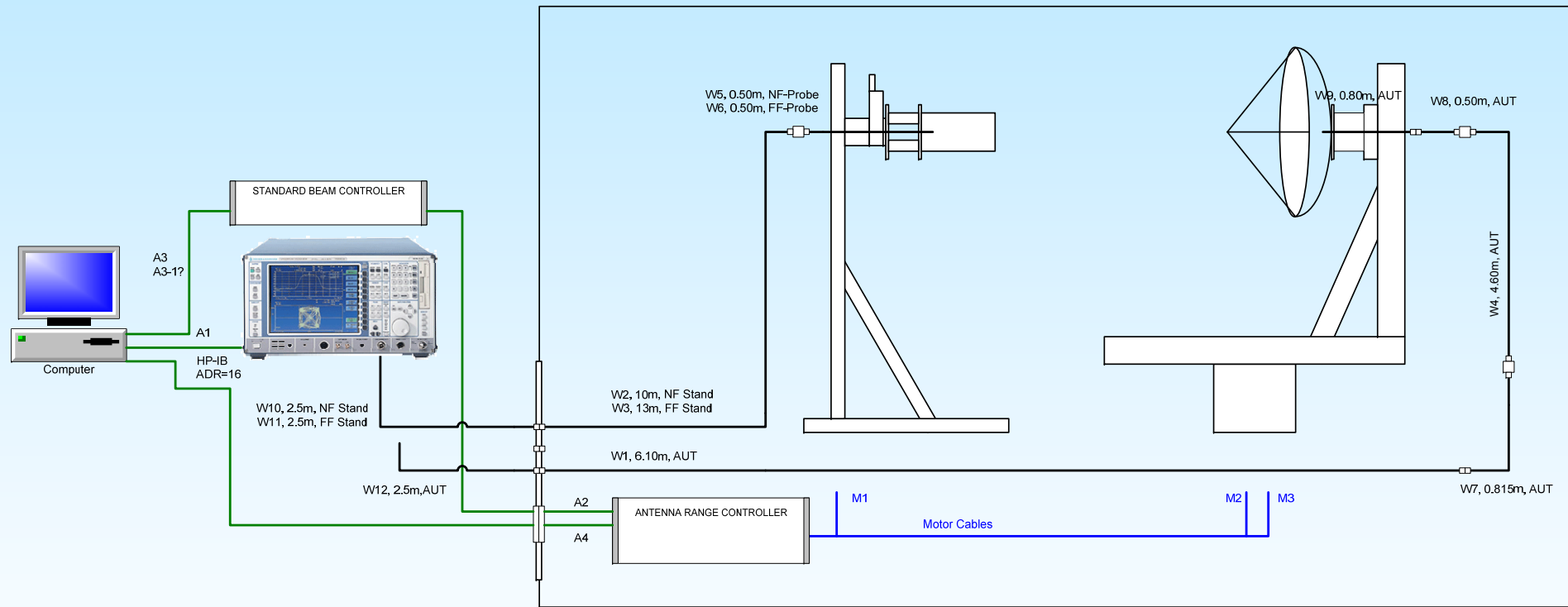
Seite 48



CTIA Measurement Setup Using Communication Tester

Radiated Power: Communication Tester establishes call with mobile and records the received power level @ maximum output power mode of mobile

Sensitivity: SW changes power level of base station simulator and determines the BER of the received signal (mobile acts as repeater), measurements can last several hours



Seite 49



Recommendation for Measurements in Anechoic Chambers

- Construct a fixture that is small and reliable
 - Define the co-ordinate system properly
 - Be aware of Your cabling and its influences on the measurement
 - Always use the same absorber behind the antenna and put it as far away as possible
 - Measure full NF data, with two positions of the antenna
 - Look at the whole picture: Compare NF and FF data
- Then You should get repeatable measurements



Summary: Comparison of the Different Methods

Parameter/ Method	Pattern	Polarisation	Efficiency	Matching	CTIA
Far-Field	Green	Green	Yellow	Yellow	Yellow
Near-Field	Green	Green	Yellow	Yellow	Red
Reverberation Chamber	Red	Red	Green	Green	Yellow
GTEM Cell	Yellow	Yellow	Green	Green	Red
Wheeler Cap	Red	Red	Green	Red	Red

Seite 51



Literature

- Hiroyuki Arai: „Measurement of Mobile Antenna Systems“, Artech House, Boston, 2001
- Clemens Icheln: „Methods for Measuring RF Radiation Properties of Small Antennas“, Dissertation at Helsinki University of Technology, Report S 250, Espoo, 2001
- Gregory F. Masters: „An Introduction to Mobile Station over the Air Measurements“, NSI User Meeting, Bletchley, 2006
- Per-Simon Kildal: „Reverberation Chamber for Characterizing Antennas and Mobile Terminals under Rayleigh Fading: Efficiency, TRP, TIS, AFS, diversity, MIMO, UWB“, Short Course SC12 at EuCAP2007, Edinburgh, 2007
- Lars Foged: „Small Antenna Measurements in Spherical Nearfield Systems“, EuCAP2007, Edinburgh, 2007
- Rainer Wansch: „Methodology for Measuring Electrically Small Antennas“, AMTA2004, Atlanta, 2004
- Rainer Wansch: „Measurement Setups Using a Theta-Phi Scanner“, NSI User Meeting, Erlangen, 2007

Seite 52

